

# ROULE INGROUND LIGHT

## RUL-10

Mono IP67 CE

YYZ Roule inground recessed uplight ideal in exterior lobby entrances as highlight or to be used as uplight for walls and columns. These buried LED lighting fixture made in stainless steel features symmetrical light distribution and hence will create a beautiful ambiance & enhance the environment. The fixtures are versatile which can add a visual impact and also plays a critical role in safety apart from lighting.



### FEATURES

|                 |                                      |
|-----------------|--------------------------------------|
| MATERIAL        | Stainless steel                      |
| FINISH          | Stainless steel                      |
| RATED POWER     | 10W                                  |
| WORKING VOLTAGE | 24V dc, 240V ac                      |
| BEAM ANGLE      | 18°/24°/38°/60°/Angle Adjustable 25° |
| MOUNTING        | Floor recessed                       |
| LAMP LIFE       | 50,000 hrs                           |
| DIMENSIONS      | Ø130x133mm(Cutout Ø119mm)            |
| OPERATION TEMP  | -20° C - +50° C                      |
| CONTROL         | Dali, Triac, 1-10V                   |

EPISTAR/CREE  
LED Quality

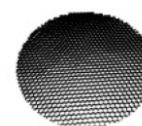
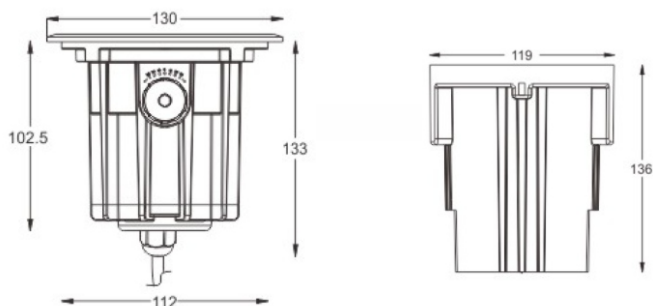
24V DC/240V AC  
Working Voltage

10W  
Rated power

### ELECTRICAL DATA

|                   |   |
|-------------------|---|
| POWER CONSUMPTION | 10W   |
| SUPPLY VOLTAGE    | 240V ac   |
| COLORS            | 2700K, 3000K, 4000K, 5000K, 6500K, Red, Green, Blue |
| CRI               | 80, 90  |
| LUMEN             | 800lm   |

### DIMENSION



Honeycomb

### ORDERING LOGIC

| PRODUCT | WATTAGE  | COLOR TEMPERATURE | VOLTAGE | BEAM ANGLE    | FINISH   | ACCESSORIES          | CUSTOM         |         |
|---------|----------|-------------------|---------|---------------|----------|----------------------|----------------|---------|
| RUL-10  | 10 - 10W | (CT27)            | 2700K   | 24 - 24V DC   | 18 - 18° | SS - Stainless Steel | HC - Honeycomb | XX - XX |
|         |          | (CT30)            | 3000K   | 240 - 240V AC | 24 - 24° |                      |                |         |
|         |          | (CT40)            | 4000K   |               | 38 - 38° |                      |                |         |
|         |          | (CT50)            | 5000K   |               | 60 - 60° |                      |                |         |
|         |          | (CT65)            | 6500K   |               |          |                      |                |         |
|         |          | (RE)              | RED     |               |          |                      |                |         |
|         |          | (GR)              | GREEN   |               |          |                      |                |         |
|         |          | (BL)              | BLUE    |               |          |                      |                |         |

Sample:RUL-10 - 10 - CT27 - 24 - 18 - SS - HC - XX