

LINEAR HANDRAIL LIGHT-SQUARE

LHL-S



YYZ LED Linear handrail serve the purpose of lighting up the staircase treads as well as give an aesthetic effect to the surroundings. It is made in stainless steel and aluminum which can be installed on an existing handrail system as well as indoor or outdoor. These are waterproof IP65 rated fixture which is available in different colors ranging from 2700-6000K.

FEATURES

| | |
|-----------------|--|
| FINISH | Silver, Black |
| WORKING VOLTAGE | 24V DC |
| RATED POWER | 0.5W, 1.5W, 2.5W, 3.5W |
| BEAM ANGLE | 110° |
| LAMP LIFE | 50000 hrs |
| MOUNTING | Handrail |
| CONNECTION | Outdoor rated connections |
| DIMENSIONS | 17.5(W) x 21(H) x 80, 180, 280, 380(L)mm(Cutout 72, 172, 272, 372x14.6mm) |
| OPERATION TEMP | -40° C - +50° C |
| CONTROL | On/Off |



PHILIPS / CREE
LED Quality

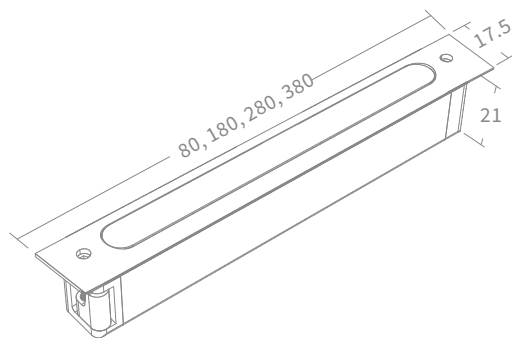
24V DC
Working Voltage

0.5W/1.5W/2.5W/3.5W
Rated power

ELECTRICAL DATA

| | |
|-------------------|---------------------------|
| POWER CONSUMPTION | 0.5W, 1.5W, 2.5W, 3.5W |
| SUPPLY VOLTAGE | 24V DC |
| CRI | 80+ |
| COLORS | 2500/2700/3000/4000/6000K |

DRAWING



ORDERING LOGIC

| PRODUCT | WATTAGE | COLOR TEMPERATURE | VOLTAGE | FIXTURE LENGTH | CONTROL | OPTIC | FINISH | CUSTOM |
|---------|------------|-------------------|--------------------|-----------------|-------------------|------------|---------------------------|----------|
| LHL-S | 0.5 - 0.5W | (CT 25) - 2500K | 24 - 24V DC (1.2W) | 80 - 80(0.5W) | ND - Non Dimmable | 110 - 110° | SL - Silver BK - Black | XX - XXX |
| | 1.5 - 1.5W | (CT 27) - 2700K | | 180 - 180(1.5W) | | | | |
| | 2.5 - 2.5W | (CT 30) - 3000K | | 280 - 280(2.5W) | | | | |
| | 3.5 - 3.5W | (CT 40) - 4000K | | 380 - 380(3.5W) | | | | |
| | | (CT 60) - 6000K | | | | | | |

Sample: LHL-S - 0.5 - CT25 - 24 - 80 - ND - 110 - SL - XX