

LINEAR HANDRAIL LIGHT-ROUND

LHL-R



YYZ LED Linear handrail serve the purpose of lighting up the staircase treads as well as give an aesthetic effect to the surroundings. It is made in stainless steel and aluminum which can be installed on an existing handrail system as well as indoor or outdoor. These are waterproof IP65 rated fixture which is available in different colors ranging from 2700-6000K.

FEATURES

FINISH	Silver, Black
WORKING VOLTAGE	24V DC
RATED POWER	0.5W, 1.5W, 2.5W, 3.5W
BEAM ANGLE	110°
LAMP LIFE	50000 hrs
MOUNTING	Handrail
CONNECTION	Outdoor rated connections
DIMENSIONS	17.5(W) x 21(H) x 85, 185, 285, 385(L)mm(Cutout 72, 172, 272, 372x14.6mm)
OPERATION TEMP	-40° C - +50° C
CONTROL	On/Off

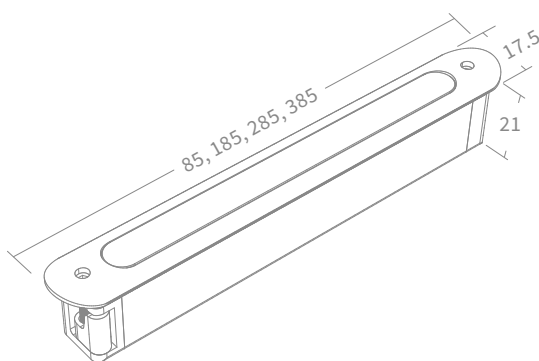


- PHILIPS / CREE
LED Quality
- 24V DC
Working Voltage
- 0.5W/1.5W/2.5W/3.5W
Rated power

ELECTRICAL DATA

POWER CONSUMPTION	0.5W, 1.5W, 2.5W, 3.5W
SUPPLY VOLTAGE	24V DC
CRI	80+
COLORS	2500/2700/3000/4000/6000K

DRAWING



ORDERING LOGIC

PRODUCT	WATTAGE	COLOR TEMPERATURE	VOLTAGE	FIXTURE LENGTH	CONTROL	OPTIC	FINISH	CUSTOM
LHL-R	0.5 - 0.5W	(CT 25) - 2500K	24 - 24V DC (1.2W)	85 - 85(0.5W)	ND - Non Dimmable	110 - 110°	SL - Silver BK - Black	XX - XXX
	1.5 - 1.5W	(CT 27) - 2700K		185 - 185(1.5W)				
	2.5 - 2.5W	(CT 30) - 3000K		285 - 285(2.5W)				
	3.5 - 3.5W	(CT 40) - 4000K		385 - 385(3.5W)				
		(CT 60) - 6000K						

Sample: LHL-R - 0.5 - CT25 - 24 - 85 - ND - 110 - SL - XX