

# LFA - ASYMMETRICAL SPEC SHEET

## LFA-O-5.0



Our LFA series linear LED light fixtures are a simple, yet elegant solution for wall washing and grazing applications where crisp, single color light is desired along a floor, wall or ceiling. LFA series in particular uses an asymmetric lens to create a focus beam on one side. This allows the product to be installed along edge of a surface for a throw beyond the illuminated plane.



### FEATURES

OPERATING VOLTAGE	24 Volts DC
OPERATING TEMPERATURE	-20°C to 60°C
LED QUANTITY	700/m
BEAM ANGLE	Asymmetrical
FIXTURE CONNECTION	IP Rated Connector
AVAILABLE IP RATING	IP-66
MAXIMUM DAISY CHAIN	10ft / 3m
CRI	95
LED	High Density LED Light Engine

**700 LEDs / m**  
LED Quantity

**24 VOLTS DC**  
Operating Voltage

**5W/ft**  
Rated Power

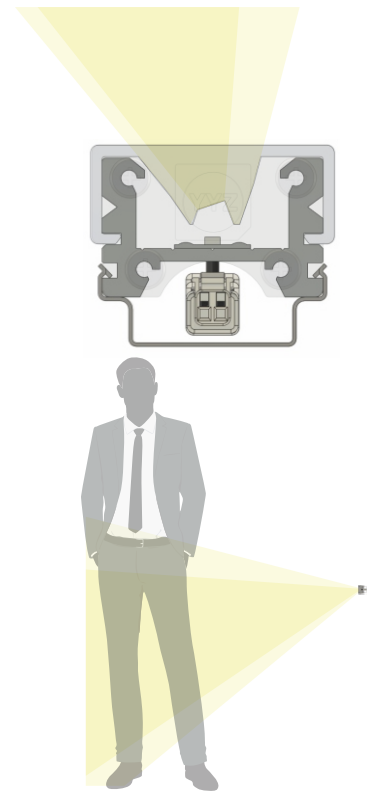
### ELECTRICAL DATA

LUMEN (3000K)	314 lm/ ft (1032 lm/ m)
RATED POWER	16W/m (5.0W/ft)
MAX BENDING RADIUS	Rmin = 20mm

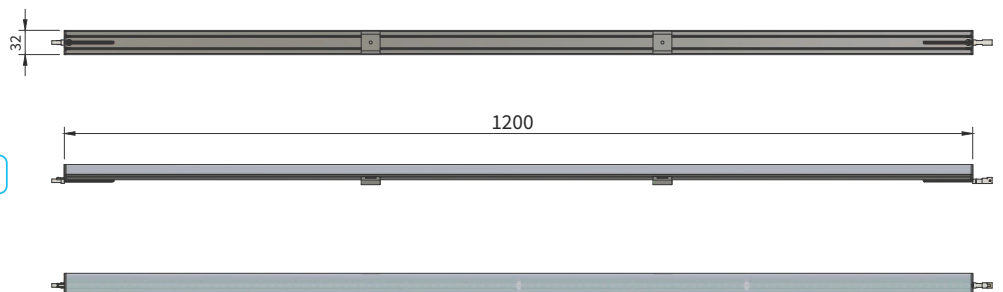
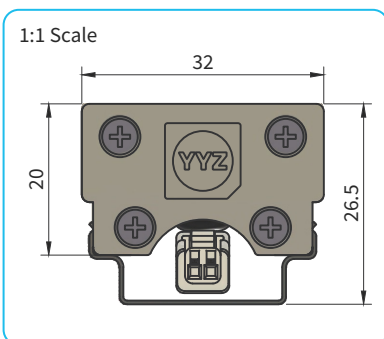
### COLOR TEMPERATURE DATA

White	Efficacy lm/W	Lumens/ft	Lumens/m
2200K	63	280 lm	919 lm
2500K	64	284 lm	932 lm
2700K	65	287 lm	942 lm
3000K	71	314 lm	1032 lm
3500K	72	318 lm	1046 lm
4000K	73	323 lm	1061 lm
5000K	73	323 lm	1061 lm

#### Asymmetrical Beam



### DIMENSIONS



# LFA - ASYMMETRICAL SPEC SHEET

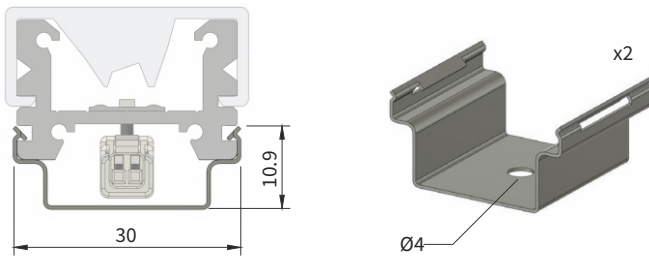
## LFA-O-5.0

### ORDERING LOGIC

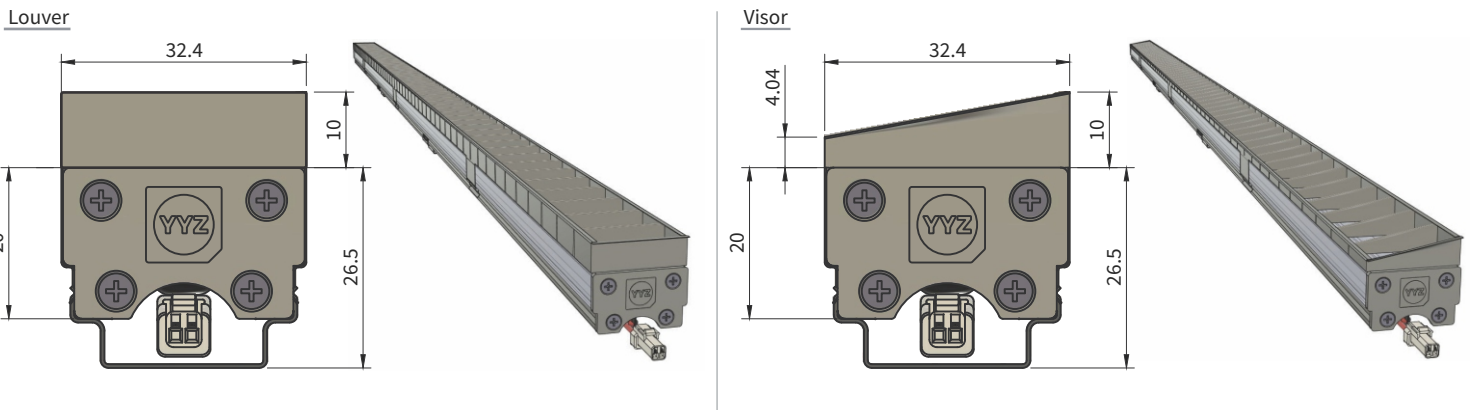
PRODUCT SERIES	TYPE	POWER	COLOR TEMPERATURE	LENGTH	BEAM ANGLE	MOUNTING	CONNECTOR	ACCESSORIES
LFA	O - OUTDOOR	5.0W - 5.0WATTS	(CT 22) 2200K (CT 27) 2700K (CT 30) 3000K (CT 35) 3500K (CT 40) 4000K (CT 50) 5000K	12 - 12inch /300mm 24 - 24inch /600mm 36 - 36inch /900mm 48 - 48inch /1200mm	AS - ASYMMETRICAL	MC - MOUNTING CLIP	IP - IP CONNECTOR	N - NONE L - LOUVER V - VISOR

Sample: LFA-O-5.0W-CT30-12-AS-MC-IP-N

### MOUNTING CLIP

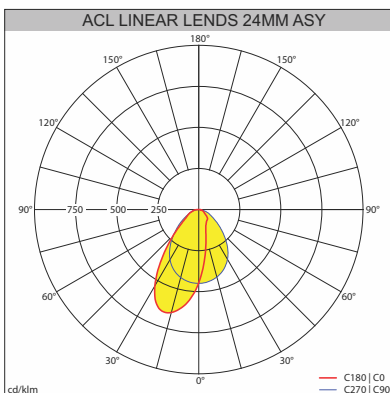


### OPTIONAL ACCESSORIES

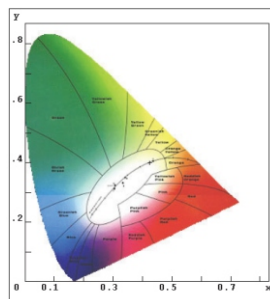


### DIAGRAM

Polar Curve



CEIE 1931 Chromaticity Diagram



Spectral Radiant Flux VS Wavelength

