

IRIS PENDANT RECTANGLE

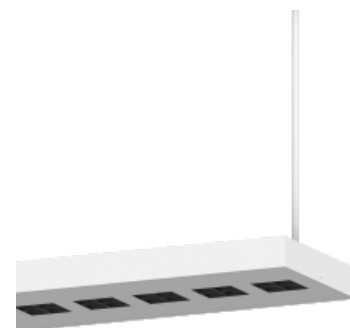
IRS-PR



YYZ Iris is a direct LED luminaire with wide range of modular optic within a single fixture that can be combined to produce different light distribution to appeal diverse architectural illumination requirements. It is with artistic design, wide beam UGR<19 and is applicable in areas like buildings, office, shopping mall and educational lighting.

FEATURES

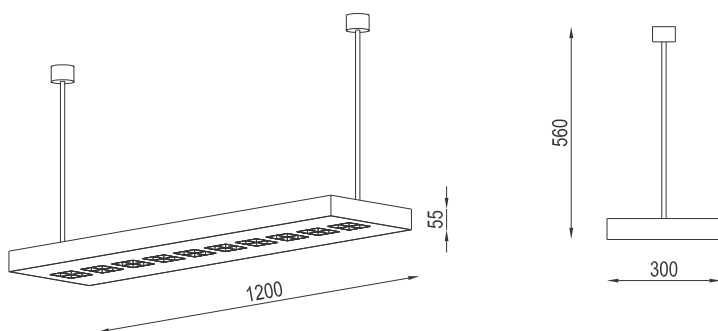
FINISH	BLACK, WHITE, GREY
WORKING VOLTAGE	220-240V 50/60Hz
RATED POWER	72/80W
DISTRIBUTION	WIDE
LAMP LIFE	50,000 HRS
MOUNTING	HANGING
DIMENSIONS	1200x300x55mm
OPERATING TEMP	-20° C - +50° C
CONTROL	ON/OFF, 1-10V, DALI



ELECTRICAL DATA

POWER CONSUMPTION	72/80W
SUPPLY VOLTAGE	220-240VAC
COLORS	3000K, 4000K, 5000K
CRI	80+
LUMEN	95lm/W

DIMENSIONS



ORDERING LOGIC

PRODUCT	WATTAGE	COLOR TEMPERATURE	CONTROL	VOLTAGE	OPTIC	FINISH	CUSTOM
IRS-PR	72 - 72W	(CT30)	3000K	ON/OFF	240VAC	W - White	xx
	80 - 80W	(CT40)	4000K	1-10V			
		(CT50)	5000K	DALI			

Sample: IRS-PR - 72 - CT30 - ON/OFF - 240 - W - BK - XX