

HERMETIC 1

HMT 1

Mono IP66 IK08

YYZ Hermetic is a tough and corrosion resistant surface/suspension mounted weatherproof luminaire suitable for application areas of high humid and dusty atmospheres. HMT1 is made of die-cast aluminum housing and a thick injection moulded polycarbonate cover, ensuring IK08 impact resistance. Wide beam optic and high efficiency makes it the best choice for use in garages, factories etc.

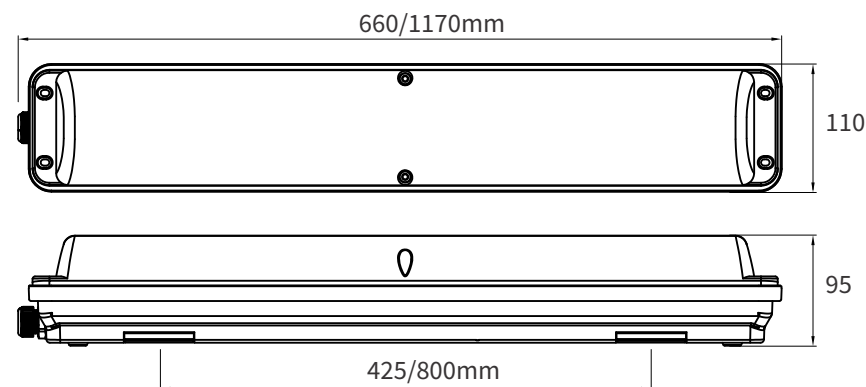
FEATURES

MATERIAL	Die-cast aluminum
FINISH	Grey
RATED POWER	25/35/43/50/65W
WORKING VOLTAGE	220-240V AC
RADIANCE ANGLE	120°
MOUNTING	Surface mounted
CONNECTION	Outdoor rated connections
LAMP LIFE	50,000 Hrs
DIMENSION	660, 1170(L) x 110 (W) x 95(H)mm
OPERATING TEMP	-25° C - +50° C
CONTROL	On/Off, 1-10V, Dali, Triac

ELECTRICAL DATA

POWER CONSUMPTION	25/35/43/50/65W
SUPPLY VOLTAGE	220-240V AC
COLORS	4000K, 6500K
CRI	80
LUMEN	130 lm/W

DIMENSION



- LG/CITIZEN/NICHIA/SAMSUNG/LUMILEDS
LED Quality
- 220-240VAC
Working Voltage
- 25/35/43/50/65W
Rated power



ORDERING LOGIC

PRODUCT	WATTAGE	COLOR TEMPERATURE	DRIVER	FIXTURE SIZE -L x W x H
HMT 1	25 - 25W	(CT40) 4000K	ND - Non-Dimmable	25W, 35W - 660 x 110 x 95mm
	35 - 35W	(CT65) 6500K	AN - 1-10V	35W, 43W, 50W, 65W - 1170 x 110 x 95mm
	43 - 43W		DA - Dali	
	50 - 50W		TR - Triac	
	65 - 65W			

Sample: HMT 1 - 25 - CT40 - ND - 25W