

CHAMAELEO COMMERCIAL SERIES

CMO CM

Mono IP20, 44 C E

YYZ Chamaeleo Commercial series, it comes into round and square with super nodular design, in various wattages, can be a good lighting solution for any indoor retail or commercial environments. Honeycomb filter can be added to provide maximum visual comfort.



FEATURES

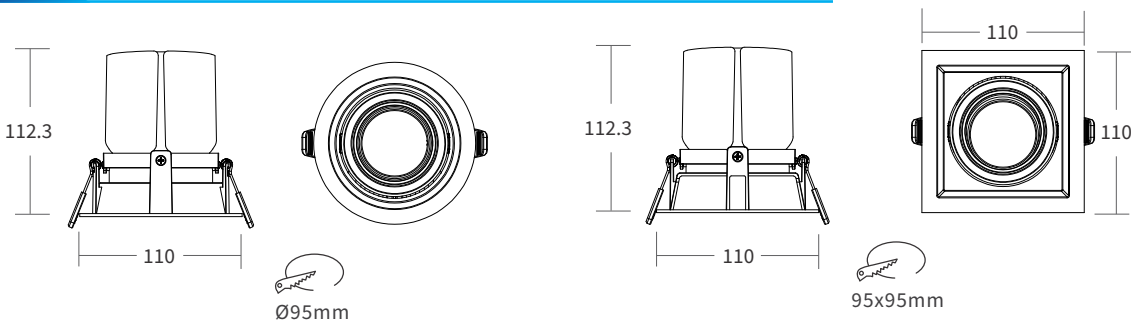
LED QUANTITY	1 Led
FINISH	White
WORKING CURRENT	5000mA (20W), 600mA (25W)
RATED POWER	20/25W
RADIANCE ANGLE	15°, 24°, 38°, 55°
LAMP LIFE	50,000 hrs
MOUNTING	Ceiling recessed
CONNECTION	Indoor rated connections
DIMENSIONS	Ø110 x 112.3mm , 110x110mm
OPERATION TEMP	-20° C - +50° C
CONTROL	On/Off, Phase, 1-10V, Dali

- CREE LED Quality
- 240 V AC Working Voltage
- 20/25W Rated power

ELECTRICAL DATA

POWER CONSUMPTION	20/25W
SUPPLY VOLTAGE	220-240V ac
COLORS	2700K, 3000K, 4000K
CRI	80, 90
LUMEN	80lm/W

DIMENSIONS



CMO CM-R

CMO CM-SQ

ORDERING LOGIC

PRODUCT	WATTAGE	COLOR TEMPERATURE	CONTROL	CURRENT	BEAM ANGLE	CRI	FINISH	ACCESSORY	CUSTOM
CMO CM-R	20 - 20W	(CT27) 2700K	ND - ON/OFF	500 - 500mA(9W)	15° - 15°	80 - 80	WH - White	HC - Honey Comb	xx
CMO CM-SQ	25 - 25W	(CT30) 3000K (CT40) 4000K	PH - PHASE AN - 1-10V DA - DALI	600 - 600mA(13W)	24° - 24° 38° - 38° 55° - 55°	90 - 90		SL - Soft Lens	

Sample: CMO CM-R -20 -CT27 - ND - 500 - 15 - 80 - WH - HC - XX



Honey Comb

Soft Lens