

LOCUST 4

LST 4

Mono IP66 CE

YYZ Locust 4 series is a type of miniature fixture made in cast aluminum which is ideal for façade and landscape applications, where size of the fixture installed plays a critical role. These luminaires are designed to offer functional, a wide range of lighting solutions and dramatic highlighting of the architectural facades, landscapes, trees through the superior finishing as well highest efficiency with a long service life. This product provide uniform, soft enhancing special lighting effect that blends into the space being lit, to maximizes light beauty.

FEATURES

TRIM FINISH	White, Black
WORKING VOLTAGE	100-240V ac
RATED POWER	11W/20W
LED QUANTITY	9Nos
BEAM ANGLE	5°, 8°, 12.5°, 20°, 30°, 45°, 60°, 15°x30°, 10°x60°
LAMP LIFE	50,000 hrs
MOUNTING	Flange mount and spike mounted
DIMENSIONS	Ø125 x180 x 545mm
OPERATION TEMP	-25° C - +50° C
CONTROL	On/Off



CREE LED Quality

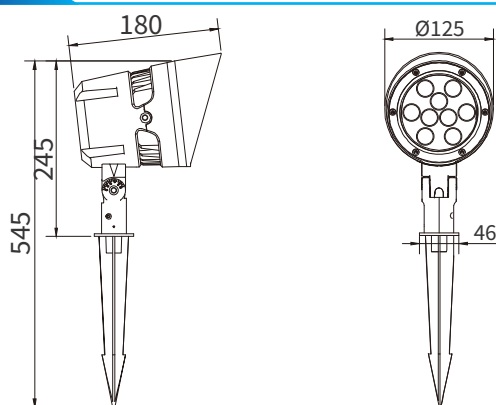
240V AC Working Voltage

11W, 20W Rated power

ELECTRICAL DATA

POWER CONSUMPTION	11W/20W
SUPPLY VOLTAGE	100-240V AC
COLORS	2700K, 3000K, 4000K
CRI	90+

DIMENSIONS



ORDERING LOGIC

PRODUCT	WATTAGE	COLOR TEMPERATURE	CONTROL	VOLTAGE	BEAM ANGLE	FINISH	CUSTOM	
LTS 4	11 - 11W	(CT27)	2700K	ND - Non Dimmable	AC - 240V AC	5 - 5°	BK - Black WH - White	XX - XX
		(CT30)	3000K			8 - 8°		
	(CT40)	4000K	12.5 - 12.5°					
		20 - 20W				20 - 20°		
						30 - 30°		
						45 - 45°		
						60 - 60°		
						15x30 - 15°x30°		
						10x60 - 10°x60°		

Sample:LTS 4 - 11 - CT27 - ND - AC - 5 - BK -XX