

APERTURE NA SPEC SHEET

APR-NA



YYZ Aperture NA offers a linear CCT Selectable Premium LED Light diffusion over a light-weight impact resistant opal polycarbonate lens with different mounting options. This ultra-efficient versatile LED linear fixture can meet the challenges of restaurant, retail, industrial, warehousing and task lighting applications.

Seamless, continuous run connections. All connectors are lit.

It can create a functional yet relaxing atmosphere and provide an even wash of light within a space. Low profile design optimizes shipping, storage, and handling. It comes in two different Luminous ways with Down (100%), and Up/Down (30%/70%).

It is CCT Selectable 3000K, 3500K, 4000K, and 5000K. Aperture NA is available in various sizes / wattages 2'(20W), 4'(40W), and 8'(80W) with an efficacy of 110 lumens / watt.

Aperture also offers a specular aluminum louver as an option.



SPECIFICATION

INSTALLATION	Recessed Trim/Trimless, Suspended, Wall Mount, Surface Mount
MATERIAL	Aluminum
FINISH	High Reflectance Baked Enamel
SYSTEM POWER (W)	20 (2ft) / 40 (4ft) / 80 (8ft)
FIXTURE LUMEN OUTPUT (lm)	2200 (2ft) / 4400 (4ft) / 8800 (8ft)
SYSTEM EFFICIENCY (lm/W)	110
LED DRIVER	Integrated
CCT SELECTABLE	3000K, 3500K, 4000K, and 5000K.

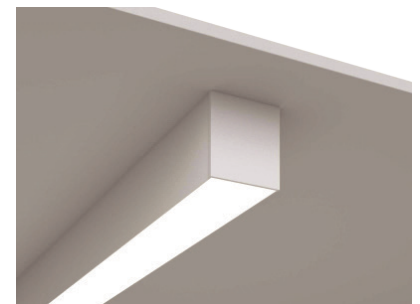
V 120~347V AC
Operating Voltage

W 20W(2ft) / 40W(4ft) / 80W(8ft)
Rated power

LIGHT SOURCE

LED TYPOLOGY	SMD
LED POWER CONSUMPTION (W)	20 (2ft) / 40 (4ft) / 80 (8ft)
LUMEN OUTPUT 3000K CRI 80 (lm)	2400 (2ft) / 4800 (4ft) / 9600 (8ft)
LED EFFICIENCY (lm/W)	120

CM - Surface Mount
(Standard)



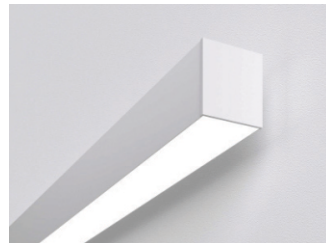
PACKAGING

	20W (2ft)	40W (4ft)	80W (8ft)
NET WEIGHT LAMP (kg/lb)	1.67 / 3.68	2.83 / 6.24	5.15 / 11.35
GROSS WEIGHT CARTON (kg/lb)	12.5 / 27.56	19.0 / 41.89	23.0 / 51.71
MASTER CARTON DIMENSIONS (mm/in)	650x300x180 / 25.59x11.81x7.09	1240x300x180 / 48.82x11.81x7.09	2430x210x180 / 95.67x8.27x7.09
QUANTITY PER CARTON	6	6	6

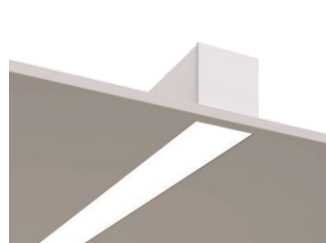
SP - Suspended
(Includes 1 pair 5 ft cables
and 2 canopy covers)



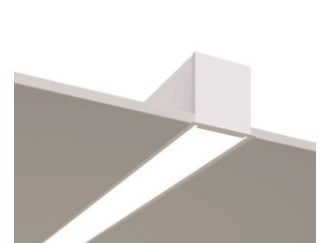
WM - Wall Mount



RTL - Recessed
(Trimless Version)



RT - Recessed
(Trim Version)



APERTURE NA SPEC SHEET

APR-NA

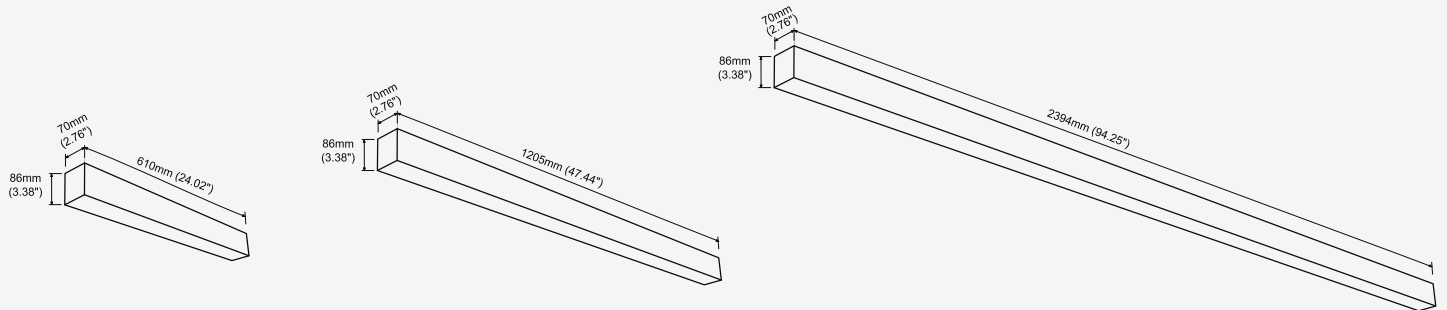
ORDERING LOGIC

PRODUCT SERIES	WATTAGE	CRI	COLOR TEMPERATURE	DIMMING	VOLTAGE	FIXTURE LENGTH	FINISH	MOUNTING	LUMINOUS WAYS	ACCESSORIES
APR-NA	20 - 20W	80	(CT 30) 3000K	DIM10 - 0-10V	AC- 120-347VAC	2F - 2 FEET	WH - WHITE (STANDARD)	CM - SURFACE MOUNT (STANDARD) SP - SUSPENDED WM - WALL MOUNT RT - RECESSED/TRIM RTL - RECESSED/TRIMLESS	D - DOWN UD3 - UP30% & DOWN70%	N - NONE MF - MUD FLANGE OS - MICROWAVE SENSOR AL - ALUMINUM LOUVER
	40 - 40W		(CT 35) 3500K			4F - 4 FEET	BK - BLACK			
	80 - 80W		(CT 40) 4000K			8F - 8 FEET	GR - GREY			
			(CT 50) 5000K							
			CCT SELECTABLE							

Sample: APR-NA-20-80-CCT-DIM10-AC-2F-WH-CM-D-MF

CONNECTIONS	CONNECTION OPTIONS		CODE
	XCON -	X-CONNECTOR	APR-NA-XCON
	TCON -	T-CONNECTOR	APR-NA-TCON
	RLC -	REGULAR L CORNER	APR-NA-RLC
	OLC -	OUTSIDE L CORNER	APR-NA-OLC
	ILC -	INSIDE L CORNER	APR-NA-ILC

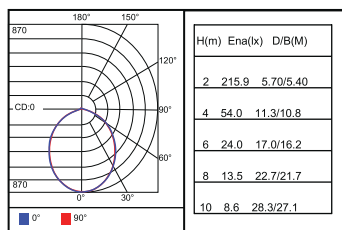
DIMENSIONS



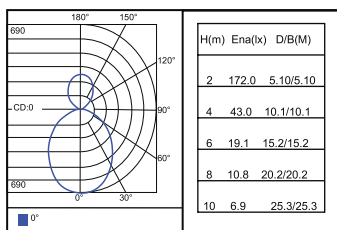
DIAGRAM

20W

Down-3000K-CRI80

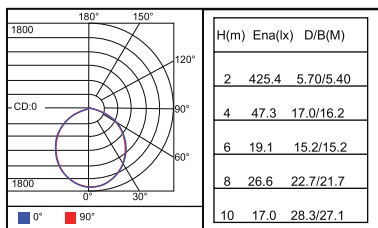


Up&Down-3000K-CRI80

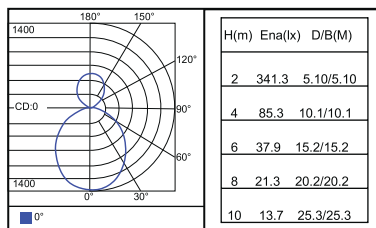


40W

Down-3000K-CRI80

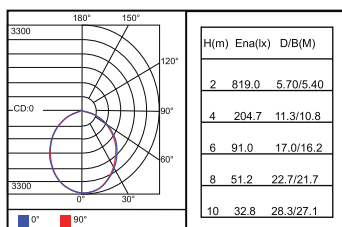


Up&Down-3000K-CRI80

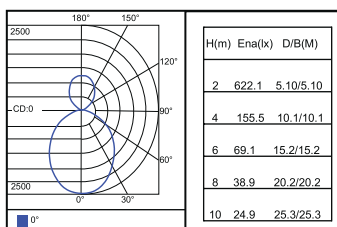


80W

Down-3000K-CRI80



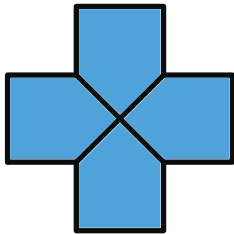
Up&Down-3000K-CRI80



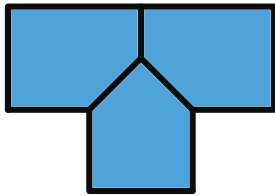
APR-NA

CONNECTIONS

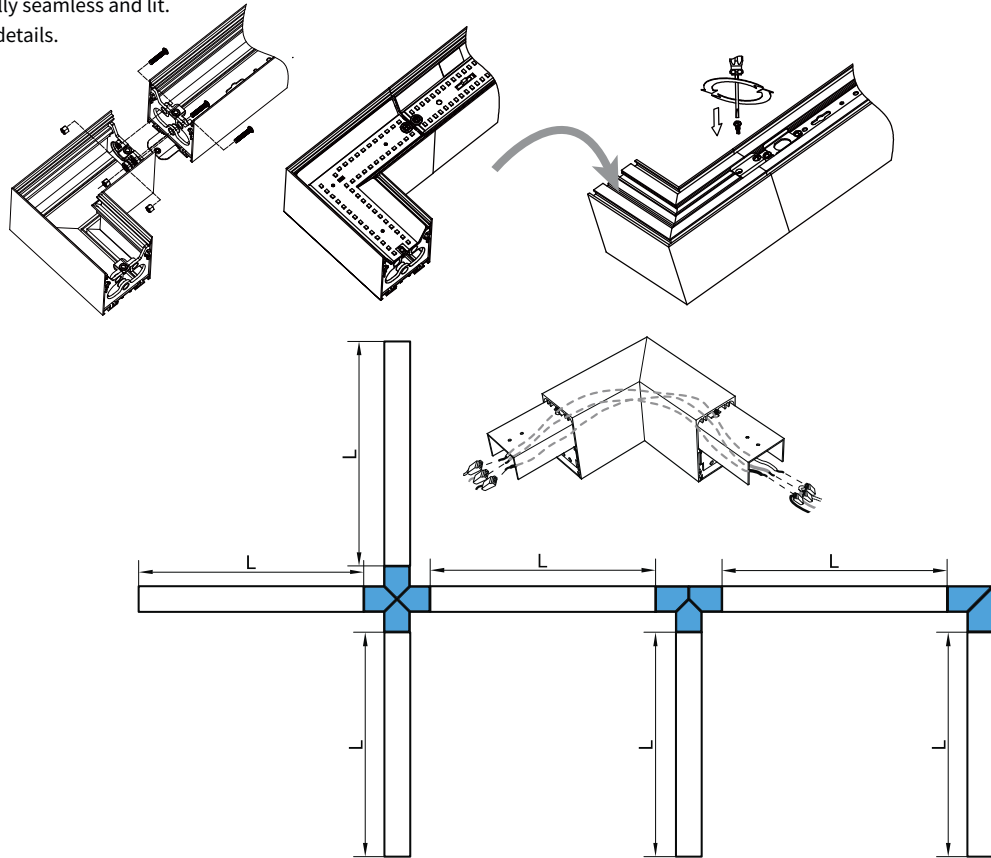
Please note all connections are basically seamless and lit.
See installation instructions for more details.



X-CONNECTOR (XCON)

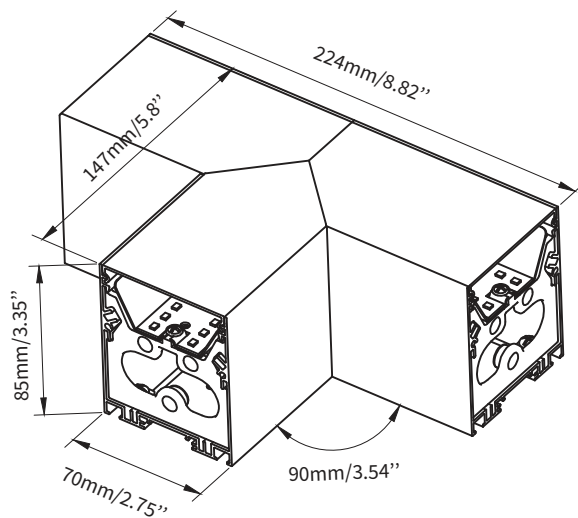


T-CONNECTOR (TCON)

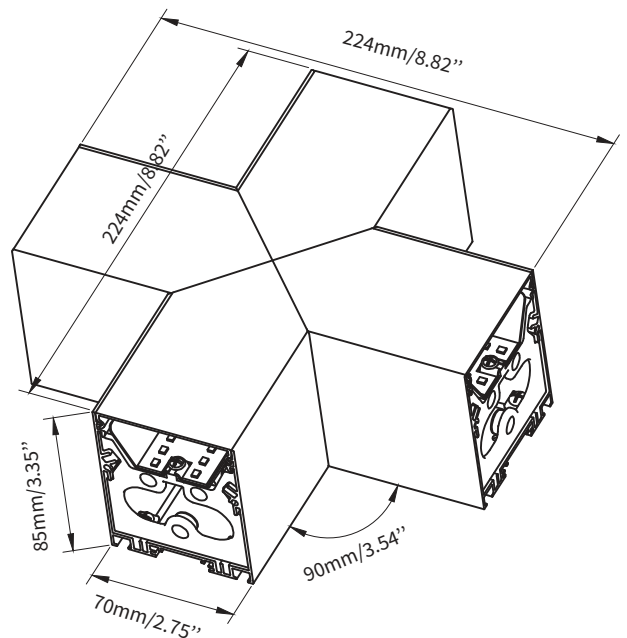


CONNECTIONS DIMENSIONS

T-CONNECTOR (TCON)

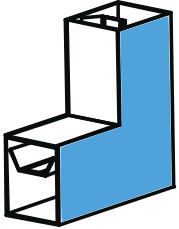


X-CONNECTOR (XCON)

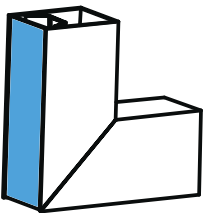


APR-NA

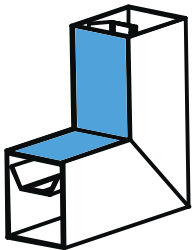
L CORNERS



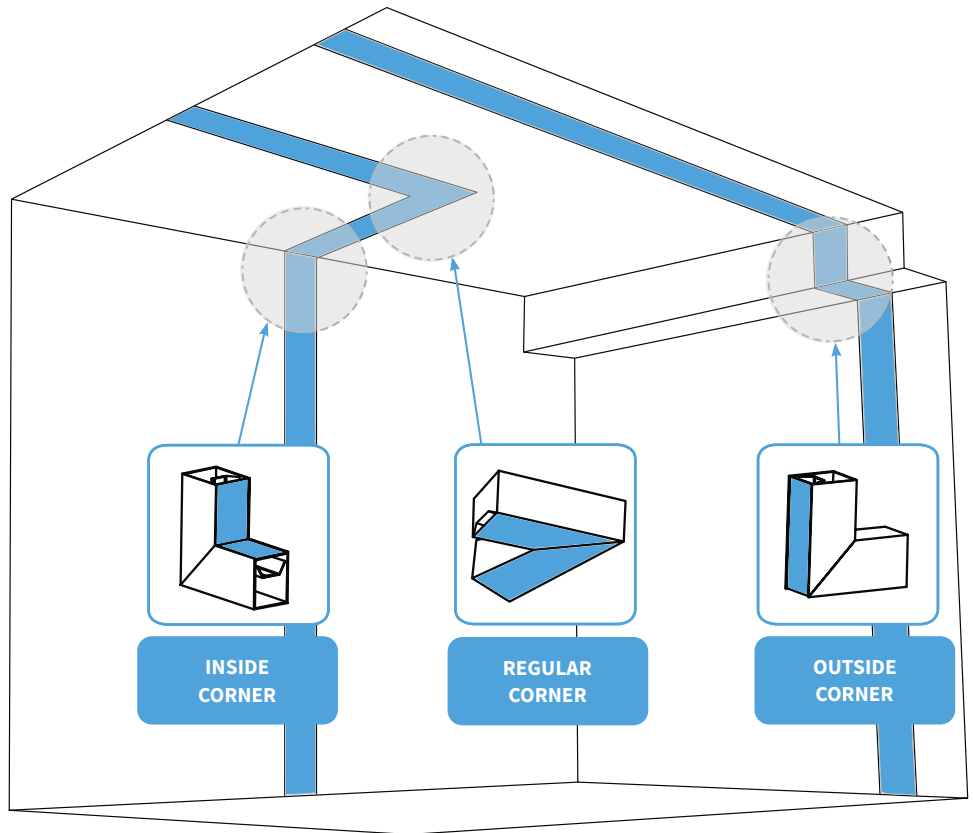
REGULAR L CORNER (RLC)



OUTSIDE L CORNER (OLC)

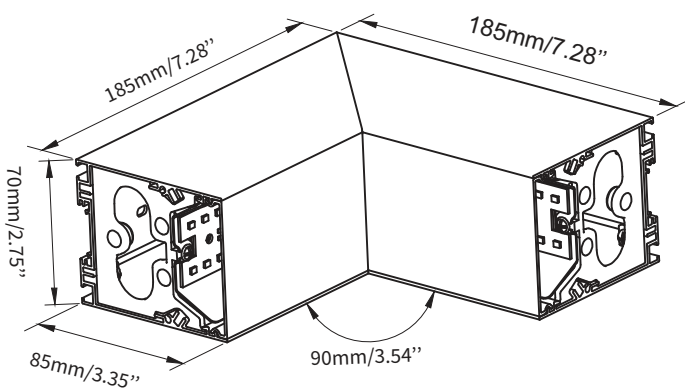


INSIDE L CORNER (ILC)

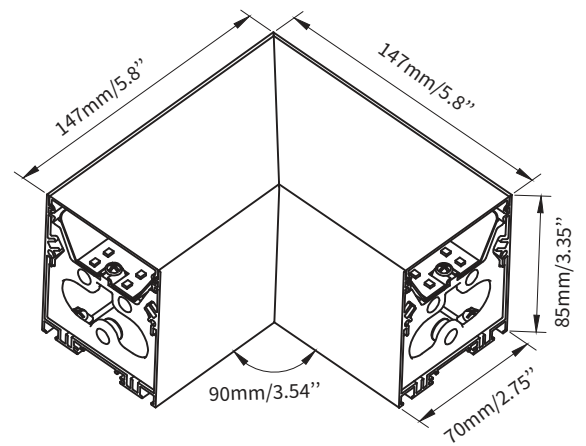


L CORNERS DIMENSIONS

WALL TO CEILING L CORNER

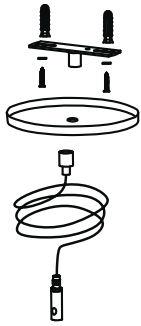


90° L CORNER

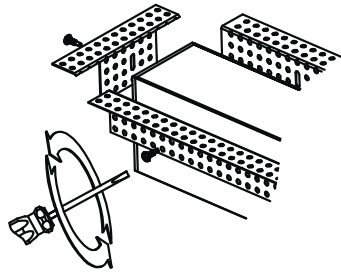


APR-NA

INSTALLATION OPTIONS



CANOPY COVER WITH
5FT CABLE KIT



MUD FLANGE

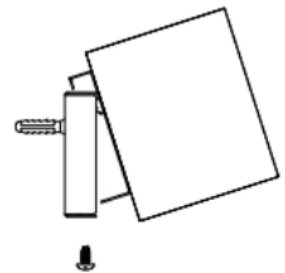
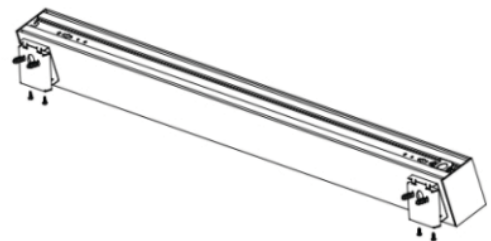
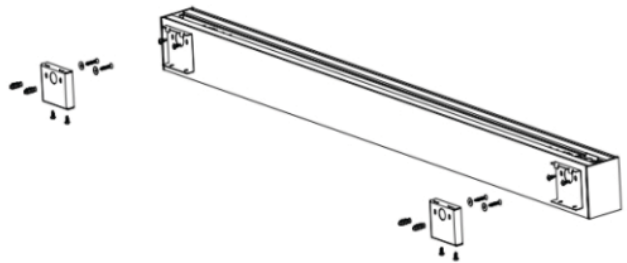


REFLECTOR OPTION

SPECULAR ALUMINUM
LOUVER

WALL MOUNT

- Install wall bracket onto wall using the appropriate mounting hardware (not provided).
- Make electrical connections as per local and national electrical codes. Push wires into the junction box behind the bracket.
- Hook luminaire bracket over the wall bracket.
- Once in place, tighten screws through the underside of luminaire bracket into the threaded holes on wall bracket.



	2ft	3ft	4ft	6ft	8ft
A	19.88" 505mm	31.57" 802mm	43.31" 1100mm	66.69" 1694mm	90.16" 2290mm
B			2" 50.8mm		
C			1.57" 40mm		
D			1.57" 40mm		

- A: Distance between center of two wall boxes
- B: Distance from center of wall box to the edge of light housing
- C: Distance between two holes in the wall box
- D: Distance from center of wall box to bottom of light housing

