

OUTDOOR LFG SPEC SHEET



LFG-O-7.2



IP67
WATER
PROOF



7.2 W

YYZ LFG series linear LED light fixtures are a simple, yet elegant solution for wall washing and grazing applications where crisp, single color light is desired along a wall or ceiling. LFG series is a new improvised version of YYZ Easy Grazer product which has installation in large scale projects worldwide since past several years. The use of elliptical optics ensures smooth lighting across the entire surface with optimal overlap between LEDs, and little spill or throw beyond the illuminated plane.

FEATURES

OPERATING VOLTAGE	24 Volts DC
OPERATING TEMPERATURE	-20 °C ~ + 50 °C
LIGHT SOURCE	Top quality surface mount LED with variable drive current
COLOR RANGE	Single Color Operation / Custom Color Operation
BEAM ANGLE	6°x6°, 10°x10°, 15°x15°, 25°x25°, 30°x30°, 40°x40°, 60°x60°, 90°x90°, 6°x40°, 10°x30°, 10°x45°, 10°x70°, 12°x48°, 20°x45°, 20°x65°
FIXTURE CONNECTION	IP Rated Connector
AVAILABLE IP RATING	IP-67
MAXIMUM DAISY CHAIN	10ft / 3m
CRI	80

ELECTRICAL DATA

LUMEN (5000° K)	720 lm
AMP / ft	300mA/ft
mA / Mtr	1000
NO OF LED PER ft	6
TYPE OF LED	Samsung

COLOR TEMPERATURE DATA

White	Lumens/ft	Colors	Lumens/ft
2200K (W 22)	530 lm	BLUE (BL)	150 lm
2700K (W 27)	690 lm	RED (RD)	290 lm
3000K (W 30)	640 lm	GREEN (GR)	475 lm
3500K (W 35)	690 lm	AMBER (AM)	325 lm
4000K (W 40)	690 lm		
5000k (W 50)	720 lm		
5700k (W 57)	720 lm		
6000k (W 60)	720 lm		
6500k (W 65)	720 lm		

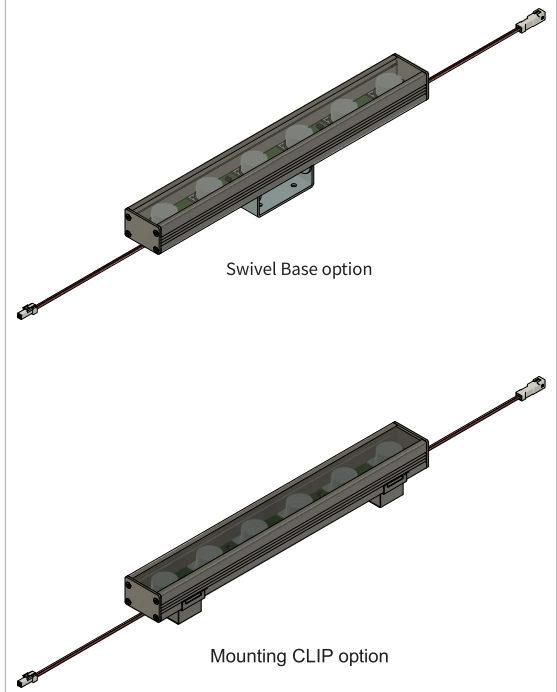


6 LEDs /ft
LED Quantity

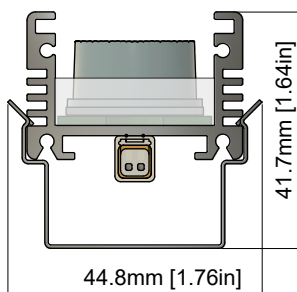
24 VOLTS DC
Operating Voltage

7.2W/ft
Rated power

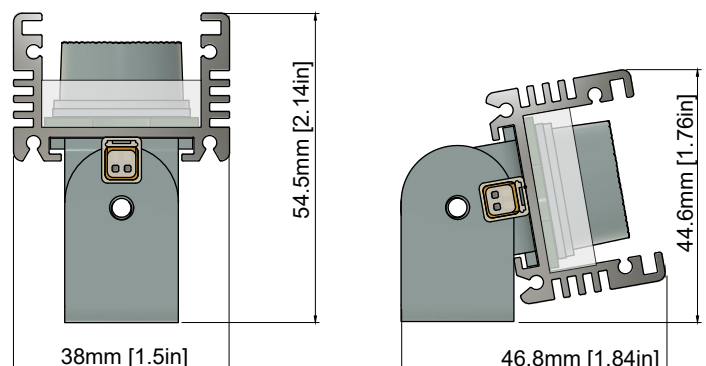
Mounting Options



Mounting CLIP



Swivel Base



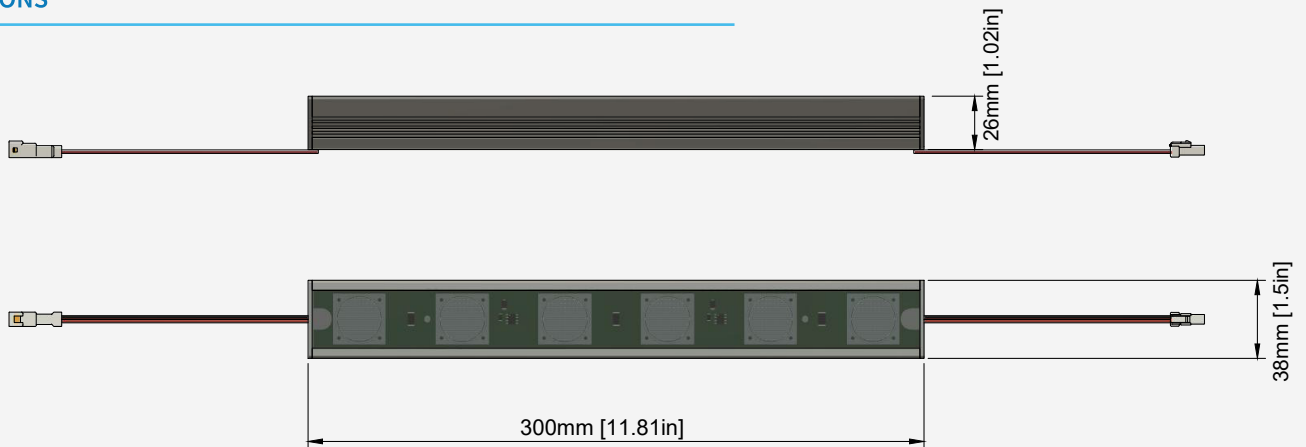
LFG-O-7.2

ORDERING LOGIC

PRODUCT SERIES	TYPE	POWER	COLOR TEMPERATURE	LENGTH	OPTICS	MOUNTING	CONNECTOR	
LFG	O- OUTDOOR	7.2W - 7.2WATTS	(CT 22)	2200K	12 - 12inch /300mm	06 - 6°x6°	SB - SWIVEL BRACKET MC - MOUNTING CLIP	IP - IP CONNECTOR
			(CT 24)	2400K	24 - 24inch /600mm	10 - 10°x10°		
			(CT 27)	2700K	36 - 36inch /900mm	15 - 15°x15°		
			(CT 30)	3000K	48 - 48inch /1200mm	25 - 25°x25°		
			(CT 35)	3500K		30 - 30°x30°		
			(CT 40)	4000K		40 - 40°x40°		
			(CT 50)	5000K		60 - 60°x60°		
			(CT 57)	5700K		90 - 90°x90°		
			(CT 60)	6000K		6x40 - 6°x40°		
			(CT 65)	6500K		10x30 - 10°x30°		
			(CT BL)	BLUE		10x45 - 10°x45°		
			(CTRD)	RED		10x70 - 10°x70°		
			(CTGR)	GREEN		12x48 - 12°x48°		
			(CTAM)	AMBER		20x45 - 20°x45°		
						20x65 - 20°x65°		

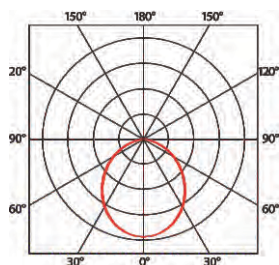
Sample: LFG-O-7.2W-CT24-12-06-SB-IP

DIMENSIONS

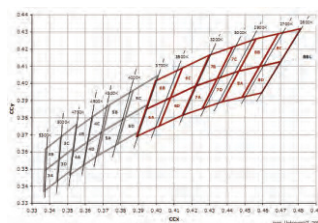


DIAGRAM

Polar Curve



BIN Details (CIE 1931)



Spectral Radiant Flux VS Wavelength

