

RECESSED LINEAR DOWNLIGHT- TRIMLESS

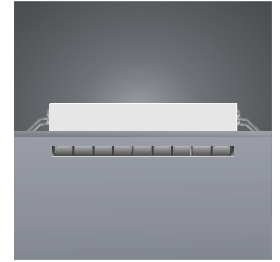
LRD TRIMLESS-20-N-CT27-ND-BK-H-XX



YYZ Linear Recessed downlight are rectangular shaped luminaire which provides two different light distribution options to lighting designs, flexible lighting solution with high illumination and visual comfort. Linear light is an ideal solution for high requirements of glare control which can be applied in offices, public area, commercial area, restaurants, and other applications.

FEATURES

MATERIAL	Aluminum
FINISH	White
RATED POWER	20/28/33 W
WORKING VOLTAGE	AC220 - 240 V 50/60Hz
RATED CURRENT	500 mA / 700 mA / 800 mA
NO OF LED	9 LED
RADIANCE ANGLE	Narrow, Medium, Wide, Oval Flood
MOUNTING	Ceiling recessed
CONNECTION	Indoor rated connections
LAMP LIFE	35000 - 50000 hrs
DIMENSION	280x68x97mm(cutout284x50mm)
OPERATING TEMP	-20° C - +50° C
CONTROL	On/Off, 1-10V, Dali, Triac



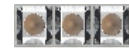
BRIDGELUX
LED Quality

AC 220-240V
Working Current

20/28/33W
Rated power

ELECTRICAL DATA

POWER CONSUMPTION	20/28/33 W
SUPPLY VOLTAGE	AC220 - 240 V 50/60Hz
COLORS	2700K / 3000K / 4000K
CRI	90+



Regular
Darklight

Optional
Black

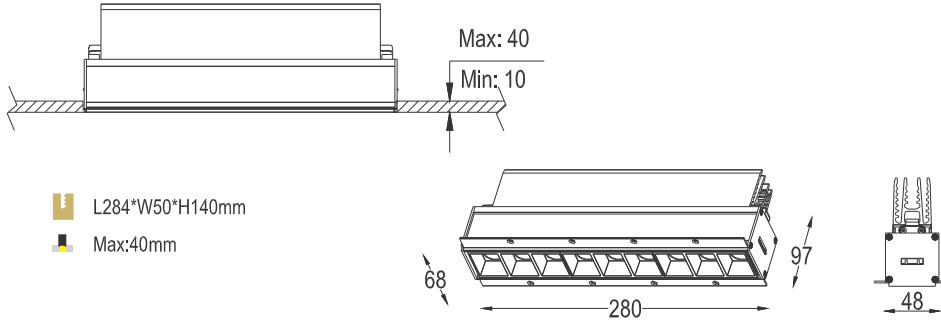
Oval Flood



Downlights



DIMENSION



ORDERING LOGIC

PRODUCT	WATTAGE	BEAM ANGLE	COLOR TEMPERATURE	CONTROL	FINISH	CRI	CUSTOM
LRD TRIMLESS	20 - 20W	N - Narrow	(CT27) 2700K	ND - ON/OFF	BK - Black	H - High(90)	XX - XXX
	28 - 28W	M - Medium	(CT30) 3000K	TR - TRIAC	WH - White		
	33 - 33W	W - Wide	(CT40) 4000K	AN - 1-10V			
		O - Oval Flood		DA - DALI			

Sample: LRD TRIMLESS - 20 - N - CT27 - ND - BK - H - XX