

FLOOD LIGHT

RFL-MONO



YYZ RFL is a unique square-shaped luminaire in power LED version providing precision optical systems which gives very low glare rating, while reducing light pollution and specially designed for landscapes and in unique structural design shape. These luminaires are designed to offer functional, a wide range of lighting solutions and dramatic highlighting of the architectural facades, landscapes, trees through the superior finishing as well highest efficiency with a long service life. This exterior ground spike luminaires are made in aluminum body and can achieve the desired effect in a wide range of applications with high quality optical systems and for direct lighting. These are mainly used in outdoor landscape, building advertising, inside or outside of building wall, huge architecture, huge bridge guardrail.



FEATURES

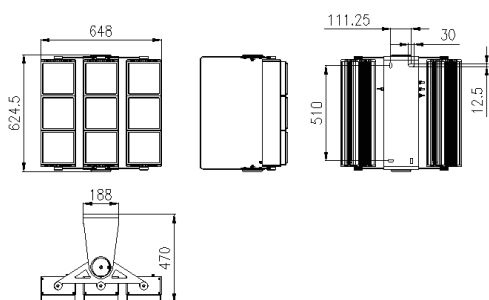
MATERIAL	Anodized extruded aluminum
FINISH	Black
RATED POWER	810W
WORKING VOLTAGE	220 Vac
LED QUANTITY	378Nos
BEAM ANGLE	3.5°, 8°, 15°, 20°, 35°, 45°, 60°
ROTATION ANGLE	130°
MOUNTING	Surface mount
CONNECTION	Outdoor rated connections
LAMP LIFE	50,000 hrs
DIMENSIONS	648mm(L)x635mm(W)x447mm(H)
OPERATION TEMP	-40° C - +50° C
STORAGE TEMP	-40° C - +80° C
CONTROL	Dmx, On-Off

- CREE LED
- 220V AC Working Voltage
- 810W Rated power

ELECTRICAL DATA

POWER CONSUMPTION	810W
SUPPLY VOLTAGE	220Vac
COLORS	2700/3000/4000/5000K/RED/GREEN/BLUE
CRI	>80
LUMENS	75-78lm/W

DRAWING



ORDERING LOGIC

PRODUCT	WATTAGE	COLOR TEMPERATURE		OPTIC			VOLTAGE	FINISH	CUSTOM
RFL	810 - 810W	(CT 27)	2700K	3.5	-	3.5°	220 - 220V AC	BK - Black	XX - XXX
		(CT 30)	3000K	8	-	8°			
		(CT 40)	4000K	15	-	15°			
		(CT 50)	5000K	20	-	20°			
		(RE)	Red	35	-	35°			
		(GR)	Green	45	-	45°			
		(BL)	Blue	60	-	60°			

Sample: RFL-810-CT 27-3.5-220-BK-XX