

CIANA 152 SERIES

CNA152

Mono IP20 CE

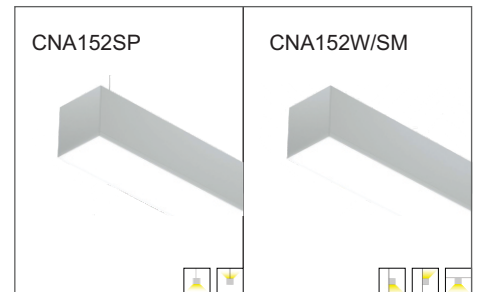
YYZ Ciana IP20 is a compact and streamlined luminaire that provides direct or indirect illumination from a suspended or surface mounted channel. The fixture is available with several LED lamping options including multiple outputs and CCTs, tunable white and colour changing RGB+White. These are mainly ideal for areas like office lighting, conference rooms, commercial and residential interior lighting.

FRAME

CNA152SP : For suspended

CNA152W : For wall

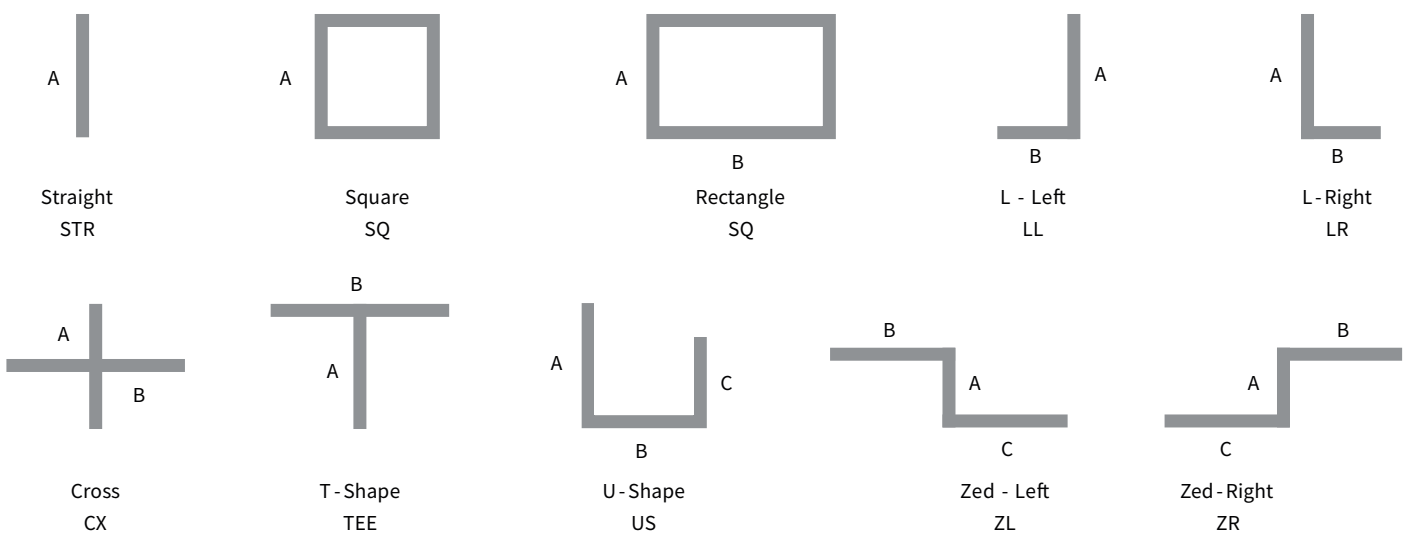
CNA152SM : For surface mounted



SIZE

SHAPE		LENGTH - A	LENGTH - B	LENGTH - C
STR	Straight			
SQ	Square			
REC	Rectangle			
LL	L - Left			
LR	L - Right			
CX	Cross			
TEE	T - Shape			
US	U - Shape			
ZL	ZED - Left			
ZR	ZED - Right			

SHAPES



LINEAR LAMPING & LENS

<u>DISTRIBUTION</u>	<u>OUTPUT</u>	<u>CRI</u>	<u>CCT</u>	<u>LENS</u>
DIRECT	MIN	80	2700K	DIFF / F Diffuse, flush (std)
INDIRECT	LOW	90	3000K	
	MED		3500K	
	HI		4000K	
	MAX		5000K	
	TUNE /LOW*		6500K	
	TUNE / MED*			
	RGBW^			

*For TUNE/LOW and TUNE/MED, CRI and CCT do not apply.

^For RGBW, CRI does not apply and select 3000K or 4000K CCT only. White LEDs can remain uncommissioned for RGB-only output.

DOWNLIGHT SPOT

<u>OUTPUT</u>	<u>CRI</u>	<u>CCT</u>	<u>BEAM ANGLE</u>
MIN / S	80	2700K	15 15° spread
LOW / S	90	3000K	25 25° spread
TUNE / S [†]		4000K	40 40° spread
RGB / S [†]			

DRIVER

NONDIM	-	Non-dimmable
DALI [†]	-	DALI driver, dimming down to 1%
1/10V	-	1-10V, dimming down to 1%
0/10V	-	0-10V, dimming down to 0%
DMX [^]	-	DMX driver, dimming down to 1%
PHASE	-	For use with phase-cut triac, IGBT or sine wave dimmer switches

[†]Driver selection applies to direct, indirect and/or downlight spots.

FINISH

AL	-	Anodised aluminium (standard)
WH	-	White powder coat
BLK	-	Black powder coat
BZ	-	Metallic bronze powder coat
RAL/	-	Custom RAL color powder coat (ex : #RAL/3000)

POWERFEED COLOUR

- GP - Grey (Standard for suspended, default for other mountings)
- WP - White
- BP - Black
- TP - Transparent
- XP - Custom color (contact YYZ Lighting for options)

CANOPY

- NONE - Select NONE when specifying wall or surface mount
- STD - 115mm canopy for each separate powerfeed and suspension point (standard)
- SMALL - 82mm canopy for each separate powerfeed and suspension point
- COMBO - 115mm combo canopy for locations with both a powerfeed and suspension point

OPTIONAL ADD-ONS

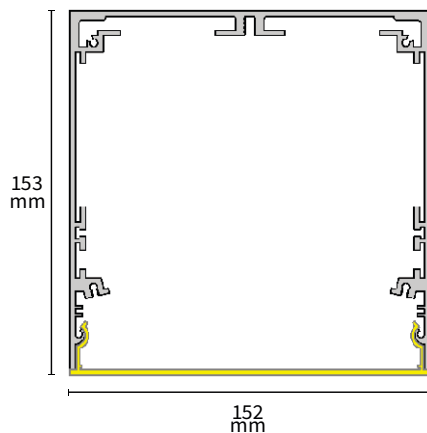
EMERGENCY

- EM - Integral, 3-hour emergency battery, manual testing

SENSOR

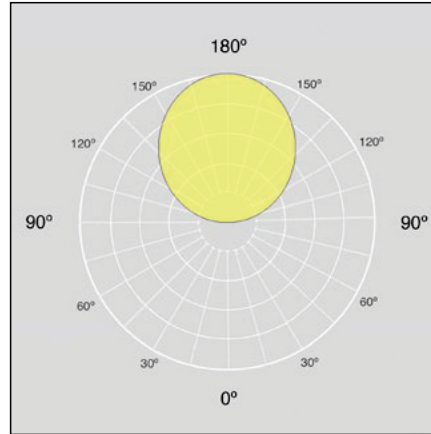
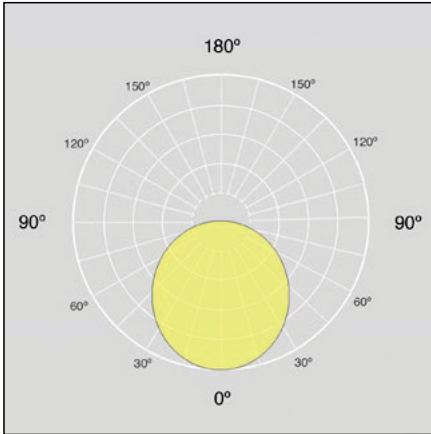
- PRES - Integral, PIR presence detector
- DALI/PRES - Integral, DALI-compatible PIR presence detector
- PHOTO - Integral, photocell/daylight detector

DIMENSIONS



CNA152

DISTRIBUTION



LINEAR LAMPING - OPTIONS & PERFORMANCE DATA

OUTPUT OPTIONS	DELIVERED LUMENS* LM/M	WATTS* W/M	EFFICACY* LM/W	CRI OPTIONS	CCT OPTIONS	LENS OPTIONS
MIN #	902	12	75	80 90	2700K 3000K 3500K 4000K 5000K 6500K	DIFF/F
LOW #	1290	13.4	98			
MED #	2514	25	101			
HI #	4154	44.6	93			
MAX #	4650	68.8	68			
TUNE/LOW #^	Tunable White Standard 1036 (at 4000K)	14	75	80	2700K-6500K	
TUNE/MED #^	Tunable White High 1467 (at 4000K)	22	68	80	2700K-6500K	
RGBW	Colour-Changing RGB+White N/A (entire system) 304 (white only)	19.2 (entire system)	N/A (entire system)	N/A (entire system)	3000K 4000K	
		9 (white only)	34 (white only)	80 (white only)		

CNA152

LENS OPTIONS

DIFF is a white satin diffuser lens that produces smooth, even light across the lens surface.



Difuse
DIFF/F

DOWNLIGHT SPOTS - OPTIONS & PERFORMANCE DATA

OUTPUT OPTIONS	DELIVERED LUMENS LM	WATTS W	EFFICACY LM/W	CRI OPTIONS	CCT OPTIONS	BEAM DEGREE OPTIONS
MIN/S#	1101	11.6	95	80 90	2700K 3000K 4000K	15 25 40
LOW/S#	1430	15.9	90		2700K 3000K 3500K 4000K	
MED/S#	2232	19.1	117			
TUNE/S	Contact yyzlighting for Options & Details					
RGB/S	Contact yyzlighting for Options & Details					

Performance calculations are based on connected-load photometric tests with 80 CRI at 4000K and 40° beam spread.

SPOTS



Minimum
MIN/S

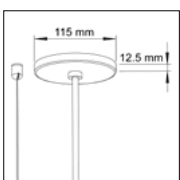
Low
LOW/S

Medium
MED/S

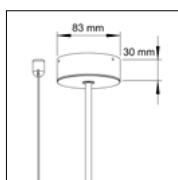


SUSPENSION MOUNTING CANOPY OPTIONS

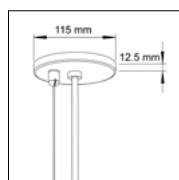
Standard (STD) comprises separate 115 mm powerfeed canopy and cable bullet at powerfeed locations. SMALL comprises separate 85 mm powerfeed canopy and cable bullet at powerfeed locations. COMBO comprises combined 115mm canopy (canopy and cable bullet) at powerfeed locations. All options include cable bullets for non-powerfeed locations.



Standard
STD



Small
SMALL



Combo
COMBO