

EPSILON A SERIES

ESN-A

Mono IP20 CE

YYZ Epsilon series of downlights feature high powered COB led modules backed by excellent aluminum heatsink to deliver the best lumen performance. The black antiglare reflector with minimal ceiling aperture makes it the preferred choice for demanding architectural applications.

FEATURES

| | |
|-----------------|---|
| MATERIAL | Die-cast aluminum |
| FINISH | White, Black, Silver |
| RATED POWER | 6/10/14/21/25/30W |
| WORKING CURRENT | 150mA(6.0W), 250mA(10W), 350mA(14W) 550mA(21W), 700mA(25W), 800mA(30W) |
| RADIANCE ANGLE | 15°/24°/36°/60° |
| MOUNTING | Ceiling recessed |
| CONNECTION | Indoor rated connections |
| LAMP LIFE | 50,000 Hrs |
| DIMENSION | Ø117 x 137mm (Cutout Ø110mm) |
| OPERATING TEMP | -20° C - +50° C |
| CONTROL | On/Off, 1-10V, Dali |



CITIZEN
LED Quality

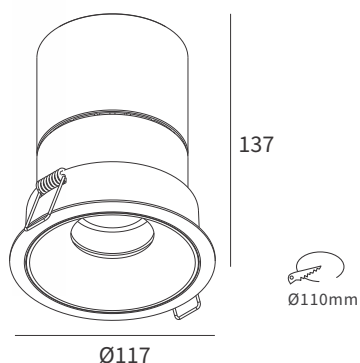
C 150/250/350/550/700/800mA
Working Current

W 6/10/14/21/25/30W
Rated power

ELECTRICAL DATA

| | |
|-------------------|---|
| POWER CONSUMPTION | 6/10/14/21/25/30W |
| SUPPLY VOLTAGE | 220-240VAC |
| COLORS | 2700K, 3000K, 4000K, 5000K, 6500K |
| CRI | 90 |
| LUMEN | 1488lm @ 30W 3000K |
| DRIVER | 150mA(6.0W), 250mA(10W), 350mA(14W) 550mA(21W), 700mA(25W). 800mA(30W) |

DIMENSIONS



ORDERING LOGIC

| PRODUCT | WATTAGE | COLOR TEMPERATURE | BEAM ANGLE | DRIVER | FINISH |
|---------|----------|-------------------|------------|------------------|-------------|
| ESN-A | 6 - 6W | (CT27) 2700K | 15 - 15° | 150 - 150mA(6W) | WH - White |
| | 10 - 10W | (CT30) 3000K | 24 - 24° | 250 - 250mA(10W) | SL - Silver |
| | 14 - 14W | (CT40) 4000K | 36 - 36° | 350 - 350mA(14W) | BK - Black |
| | 21 - 21W | (CT50) 5000K | 60 - 60° | 550 - 550mA(21W) | |
| | 25 - 25W | (CT65) 6500K | | 700 - 700mA(25W) | |
| | 30 - 30W | | | 800 - 800mA(30W) | |

Sample: ESN-A - 6 - CT27 - 15 - 150 - BK