

EPSILON A SERIES

ESN-A

Mono IP20 CE

YYZ Epsilon series of downlights feature high powered COB led modules backed by excellent aluminum heatsink to deliver the best lumen performance. The black antiglare reflector with minimal ceiling aperture makes it the preferred choice for demanding architectural applications.

FEATURES

MATERIAL	Die-cast aluminum
FINISH	White, Black, Silver
RATED POWER	6/10/14/21/25W
WORKING CURRENT	150mA(6.0W), 250mA(10W), 350mA(14W) 550mA(21W), 700mA(25W)
RADIANCE ANGLE	15°/24°/36°/60°
MOUNTING	Ceiling recessed
CONNECTION	Indoor rated connections
LAMP LIFE	50,000 Hrs
DIMENSION	Ø98 x 120mm (Cutout Ø90mm)
OPERATING TEMP	-20° C - +50° C
CONTROL	On/Off, 1-10V, Dali



CITIZEN
LED Quality

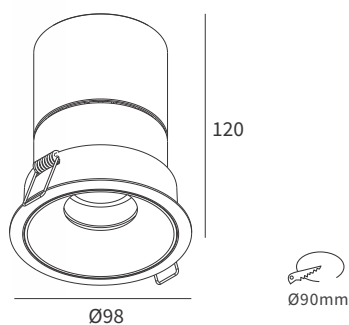
C 150/250/350/550/700mA
Working Current

W 6/10/14/21/25W
Rated power

ELECTRICAL DATA

POWER CONSUMPTION	6/10/14/21/25W
SUPPLY VOLTAGE	220-240VAC
COLORS	2700K, 3000K, 4000K, 5000K, 6500K
CRI	90
LUMEN	1240lm @ 25W 3000K
DRIVER	150mA(6.0W), 250mA(10W), 350mA(14W) 550mA(21W), 700mA(25W)

DIMENSIONS



ORDERING LOGIC

PRODUCT	WATTAGE	COLOR TEMPERATURE	BEAM ANGLE	DRIVER	FINISH	
ESN-A	6 - 6W	(CT27)	2700K	15 - 15°	150 - 150mA(6W)	WH - White
	10 - 10W	(CT30)	3000K	24 - 24°	250 - 250mA(10W)	SL - Silver
	14 - 14W	(CT40)	4000K	36 - 36°	350 - 350mA(14W)	BK - Black
	21 - 21W	(CT50)	5000K	60 - 60°	550 - 550mA(21W)	
	25 - 25W	(CT65)	6500K		700 - 700mA(25W)	

Sample: ESN-A - 6 - CT27 - 15 - 150 - WH