

NEUTRINO SERIES

NTN-R-D

Mono IP44

YYZ Neutrino series of architectural downlight features glare free performance with ultra wide beam angle. These ceiling recessed downlights with symmetrical light distribution to achieve an effective task or general lighting. This IP44 rated series is available in square as well as circular versions.

FEATURES

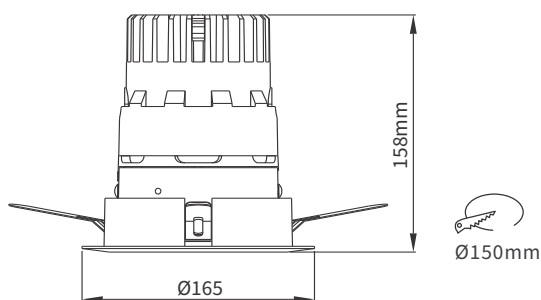
MATERIAL	Die-cast aluminum
FINISH	White, Black
RATED POWER	34W
WORKING CURRENT	820mA
RADIANCE ANGLE	12°, 24°, 36°
MOUNTING	Ceiling recessed
CONNECTION	Indoor rated connections
LAMP LIFE	50,000 Hrs
DIMENSION	Ø165 x 158mm (Cutout Ø150mm)
OPERATING TEMP	-20° C - +50° C
CONTROL	On/Off, Triac, 1-10V, Dali



ELECTRICAL DATA

POWER CONSUMPTION	34W
SUPPLY VOLTAGE	100-240V AC (Remote driver)
COLORS	2700K, 3000K, 4000K
CRI	90
LUMEN	2304 lm @3000K

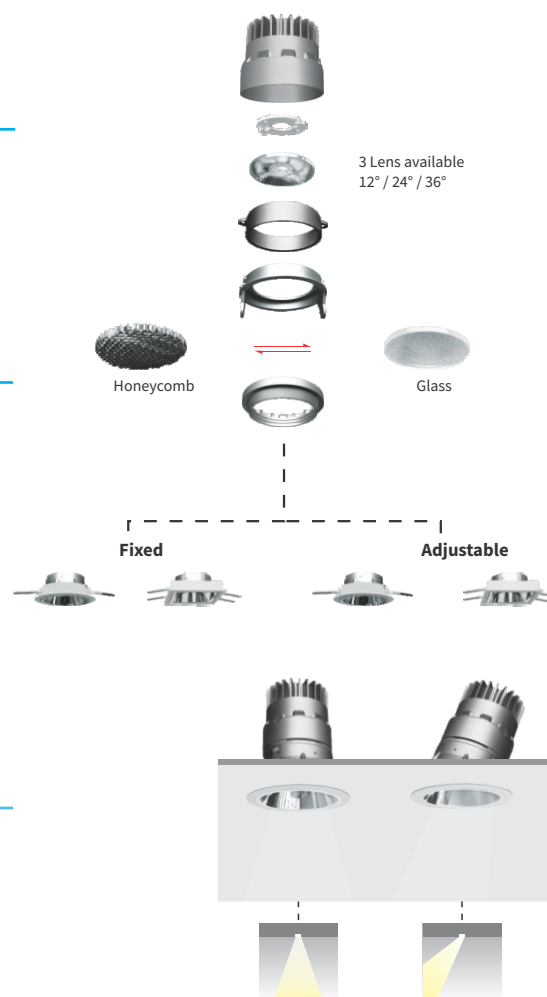
DIMENSIONS



CITIZEN LED Quality

820mA Working Current

34W Rated power



ORDERING LOGIC

PRODUCT	WATTAGE	COLOR TEMPERATURE	BEAM ANGLE	FINISH
NTN-R-D	34 - 34W	(CT27) 2700K	12 - 12°	BK - Black
		(CT30) 3000K	24 - 24°	WH - White
		(CT40) 4000K	36 - 36°	

Sample: NTN-R-D - 34 - CT27 - 12 - BK