

MYRIAD TRACK LIGHT

MRD

Mono IP20 CE

YYZ Myriad track lights houses driver unit to the track adapter allowing better thermal performance and hence the light output. Options of various optics on a 1-circuit, 3-circuit adapter with wide range of dimming options makes the system versatile. The aluminum housing that facilitates efficient performance and is flexible to rotate.



FEATURES

MATERIAL	Aluminum
TRIM FINISH	Black, Grey, White
RATED POWER	10/15W
WORKING VOLTAGE	220-240V 50/60Hz
RADIANCE ANGLE	Narrow, Medium, Wide, Ultra wide
MOUNTING	Track mounted
CONNECTION	Indoor rated connections
LAMP LIFE	50,000 Hrs
DIMENSION	Ø58 x 188 x 150mm
OPERATING TEMP	-20° C - +50° C
CONTROL	On/Off, Triac, 1-10V, Dali

CITIZEN/LUMILEDS
LED Quality

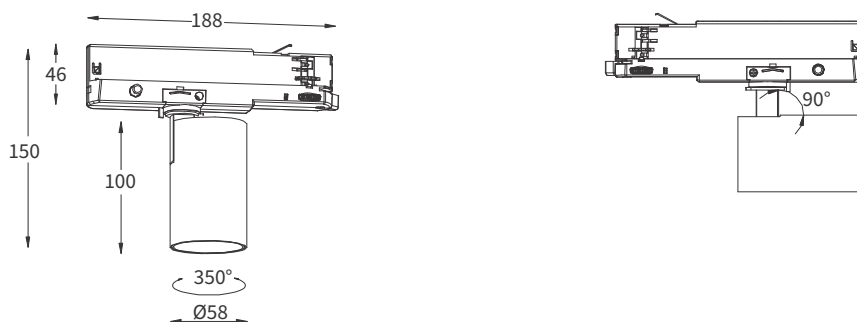
240 VOLTS
Working Voltage

10/15 W
Rated power

ELECTRICAL DATA

POWER CONSUMPTION	10/15W
SUPPLY VOLTAGE	220-240VAC
COLORS	2700K, 3000K, 3500K, 4000K
CRI	90+
LUMEN	90lm/W

DIMENSIONS



ORDERING LOGIC

PRODUCT	CONTROL	WATTAGE	COLOR TEMPERATURE	VOLTAGE	BEAM ANGLE	FINISH	ACCESSORIES
MRD-10	ON/OFF	10 - 10W	(CT27) 2700K	240VAC	N - Narrow	BL - Black	HCL - Honey Combo Louver
MRD-15	TRIAC	15 - 15W	(CT30) 3000K		M - Medium	GR - Grey	LSL - Linear Spread Lens
	1-10V		(CT35) 3500K		W - Wide	WH - White	WWV - Wall Washer Visor
	DALI		(CT40) 4000K		UW - Ultra wide		SP - Spread Lens

Sample: MRD-10 - ON/OFF - 10 - CT27 - 240 - N - BL - HCL - XX

Honeycomb
 Linear spread lens
 Wall washer visor
 Spread lens
 Barn doors