

24V MINI TRACK LIGHT

SPOT SERIES

Mono IP40 CE

YYZ Mini spot light with 24V power track is normally suitable for furniture and showcase applications. These surface mounted LED downlight is with symmetric light distribution to achieve an effective task, accent or ambient lighting.

FEATURES

MATERIAL	Aluminum
FINISH	Black (special color on request)
RATED POWER	1.5W
WORKING VOLTAGE	24V DC
LED QUANTITY	1 LED
RADIANCE ANGLE	15°/30°/50°
MOUNTING	Track mounted
CONNECTION	Indoor rated connections
LAMP LIFE	50,000 Hrs
DIMENSION	35 x 19, 40 x 19 mm
OPERATING TEMP	-20° C - +50° C
STORAGE TEMP	-20° C - +60° C
CONTROL	On/Off



1 LED PER HEAD
LED Quality

24 VOLTS
Working Voltage

1.5 W PER HEAD
Rated power

ELECTRICAL DATA

POWER CONSUMPTION	1.5W(Per head)
SUPPLY VOLTAGE	24V DC
COLORS	2000K , 2300K, 2700K, 3000K, 4000K, 6000K
CRI	80+
LUMEN	60lm/W

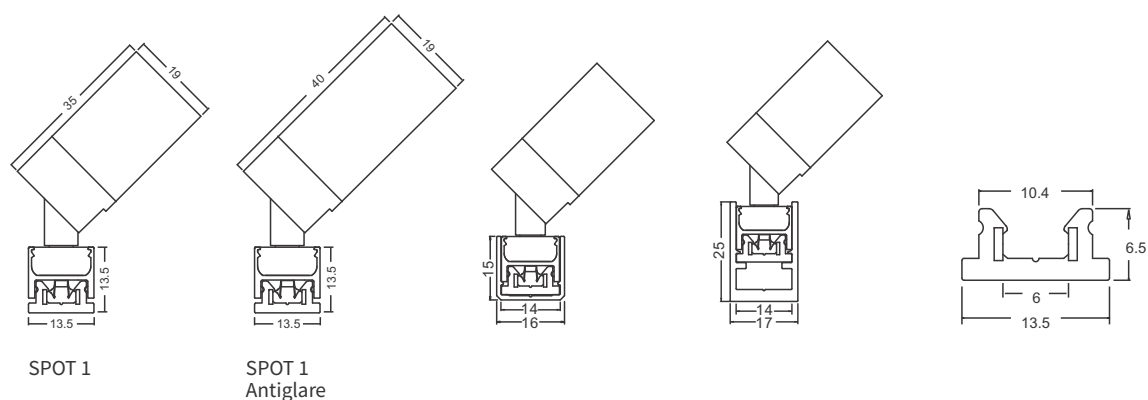


SPOT 1



SPOT 2

DRAWING



ORDERING LOGIC

PRODUCT	CONTROL	COLOR TEMPERATURE	VOLTAGE	BEAM ANGLE	FINISH	CUSTOM
SPOT 1(TPS01)	ND- NON DIMMABLE	(CT20)	24 (24 VDC)	15 - 15°	BK - BLACK	xx
SPOT 2(TPS02)		(CT23)		30 - 30°		
SPOT 1 ANTIGLARE (TPS01AG)		(CT27)		50- 50°		
SPOT 2 ANTIGLARE (TPS02AG)		(CT30)				
		(CT40)				
		(CT60)				

Sample: TPS01 - ND - CT20 - 24 - 15 - BK - XX