

BEAM WITH TRIM

BM90SQ2

Mono IP20 CE

YYZ Beam series of architectural downlights feature die-cast aluminum heat sink construction ensuring excellent thermal management. Optical system comprises of lens fitted with conical system at the front to combine high performance with excellent glare control. Available in trim and trimless versions with various beam angles and RAL options(for the conical plate) to suit the demands of the space.

FEATURES

MATERIAL	Die-cast aluminum
FINISH	White, Black, Grey
RATED POWER	2x10W
WORKING CURRENT	500mA
RADIANCE ANGLE	15°, 25°, 35° Symmetric
MOUNTING	Ceiling recessed
CONNECTION	Indoor rated connections
LAMP LIFE	50,000 Hrs
DIMENSION	226 x 98 x 90mm(Cutout 215x85mm)
OPERATING TEMP	-20° C - +50° C
CONTROL	On/Off, Triac, 1-10V, Dali



1 LED
LED Quality

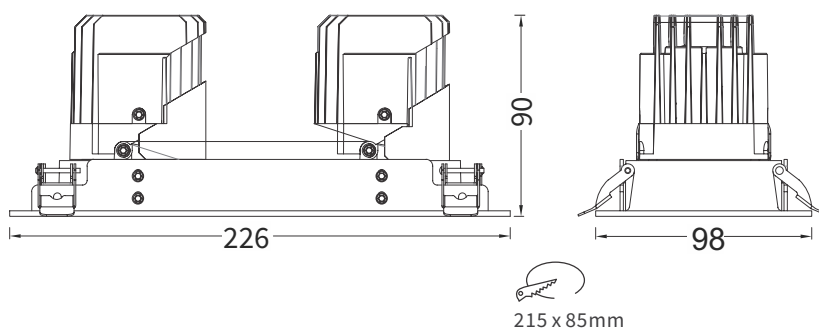
500mA
Working Current

2x10W
Rated power

ELECTRICAL DATA

POWER CONSUMPTION	2x10W
SUPPLY VOLTAGE	220-240VAC
COLORS	2700K, 3000K, 3500K, 4000K, 5000K
CRI	90

DIMENSIONS



ORDERING LOGIC

PRODUCT	WATTAGE	COLOR TEMPERATURE	CONTROL	BEAM ANGLE	FINISH	ACCESSORIES	CUSTOM	
BM90SQ2	20 - 2x10W	(CT27)	2700K	ND - ON/OFF	15 - 15°	BK - Black	HC - Honey Combo	xx
		(CT30)	3000K	TR - Triac	25 - 25°	WH - White	OB - Optical Board	
		(CT35)	3500K	DA - Dali	35 - 35°	GR - Grey		
		(CT40)	4000K	AN - 0-10V				
		(CT50)	5000K					

Sample: BM90SQ2 - 20 - CT27 - ND - 15 - BK - HC - XX