

OPERA GENERAL DOWNLIGHT

OPAGL 110

Mono IP20/IP44 **CE**

YYZ Opera general downlight series are best suited for architectural in addition to general lighting since it enables symmetrical light distribution to get an effective task, accent or general lighting. Wide range of wattage options from 7W to 42W are available making it versatile for applications with mounting heights from 2.8m to 10m. It has carefully designed optics that ensure UGR<19 even with ultra-wide distribution.

FEATURES

| | |
|-----------------|----------------------------|
| MATERIAL | Aluminum |
| FINISH | White, Black |
| RATED POWER | 15/20W |
| WORKING VOLTAGE | 220-240V 50/60Hz |
| RADIANCE ANGLE | Wide, Ultra wide |
| MOUNTING | Ceiling recessed |
| CONNECTION | Indoor rated connections |
| LAMP LIFE | 50,000 Hrs |
| DIMENSION | Ø110x115mm(CutoutØ100mm) |
| OPERATING TEMP | -20° C - +50° C |
| CONTROL | On/Off, Triac, 1-10V, Dali |



LUMILEDS/CITIZEN
LED Quality

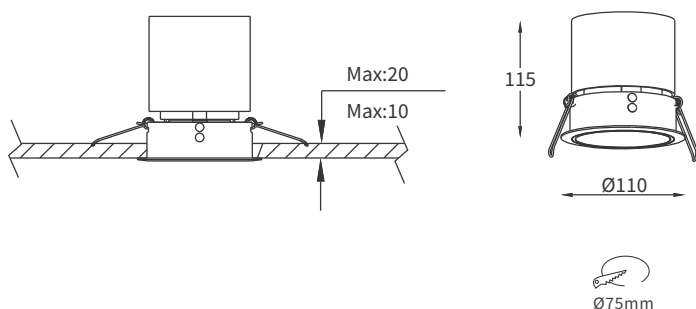
240 VOLTS
Working Voltage

15/20W
Rated power

ELECTRICAL DATA

| | |
|-------------------|----------------------------|
| POWER CONSUMPTION | 15/20W |
| SUPPLY VOLTAGE | 220-240V AC |
| COLORS | 2700K, 3000K, 3500K, 4000K |
| CRI | 90+, SDCM<3 |
| LUMEN | 90lm/W |

DIMENSIONS



Linear Spread Lens

Spread Lens

ORDERING LOGIC

| PRODUCT | WATTAGE | COLOR TEMPERATURE | CONTROL | VOLTAGE | BEAM ANGLE | FINISH | ACCESSORIES | IP RATING | |
|-----------|----------|-------------------|---------|---------|------------|----------------|--------------------------|------------------|------|
| OPAGL 110 | 15 - 15W | (CT27) | 2700K | 240VAC | W - Wide | BL - Black | LSL - Linear Spread Lens | IP20 | |
| | 20 - 20W | (CT30) | 3000K | | TRIAC | U - Ultra Wide | WH - White | SL - Spread Lens | IP44 |
| | | (CT35) | 3500K | | 1-10V | | | | |
| | | (CT40) | 4000K | | DALI | | | | |

Sample: OPAGL 110 - 15 - CT27 - ON/OFF - 240 - W - BL - LSL - IP20