

# GENESIS SURFACE DOWNLIGHT

## GNS-SDL

**Mono** IP20 **CE**

YYZ Genesis surface mounted square with its artistic design to become the element of modern architecture which offers the best lighting solution to office application and indoor public area. The compact product size with wider light distribution, UGR≤12 visual comfort optical design enables symmetrical light distribution to get an effective task, accent or general lighting.



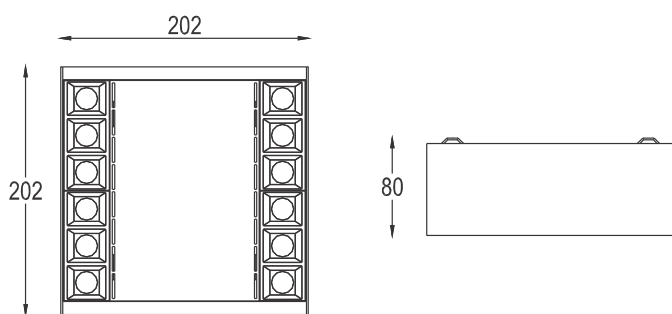
### FEATURES

MATERIAL	Aluminum
FINISH	White, Black, Grey
RATED POWER	28/35/42W
WORKING VOLTAGE	220-240V 50/60Hz
RADIANCE ANGLE	Narrow, Medium, Wide, Oval flood
MOUNTING	Surface mounted
CONNECTION	Indoor rated connections
LAMP LIFE	50,000 Hrs
DIMENSION	202 x 202 x 80mm
OPERATING TEMP	-20° C - +50° C
CONTROL	On/Off, Triac

### ELECTRICAL DATA

POWER CONSUMPTION	28/35/42W
SUPPLY VOLTAGE	220-240V AC
COLORS	3000K, 4000K, 5000K
CRI	80+
LUMEN	95lm/W

### DIMENSIONS



### ORDERING LOGIC

PRODUCT	WATTAGE	COLOR TEMPERATURE	CONTROL	VOLTAGE	OPTIC	FINISH	ACCESSORIES	CUSTOM	
GNS-SDL	28 - 28W	(CT30)	3000K	ON/OFF	240VAC	N - Narrow	BK - Black	LSL - Linear Spread Lens	xx
	35 - 35W	(CT40)	4000K	TRIAC		M - Medium	WH - White		
	42 - 42W	(CT50)	5000K			W - Wide	GR - Grey		
						O - Oval Flood			

Sample: GNS-SDL - 28 - CT30 - ON/OFF - 240 - N - BK - LSL - XX