

LATTICE LARGE

LTC-L

Mono IP20 CE

YYZ Lattice series comprises single or twin lamps embedded beautifully in a square themed profile (small, medium, large size) with lamps of varied beam angles to match the architectural demands. These downlights are with symmetric light distribution which enables to achieve effective ambient lighting.



FEATURES

MATERIAL	Aluminum
FINISH	White, Black
RATED POWER	2x28/2x32W
WORKING VOLTAGE	220-240V 50/60Hz
RADIANCE ANGLE	Narrow, Medium, Wide
MOUNTING	Ceiling recessed
CONNECTION	Indoor rated connections
LAMP LIFE	50,000 Hrs
DIMENSION	290 x 160 x 139mm (Cutout 270x150mm)
OPERATING TEMP	-20° C - +50° C
CONTROL	On/Off, Triac, 1-10V, Dali

LUMILEDS/CITIZEN
LED Quality

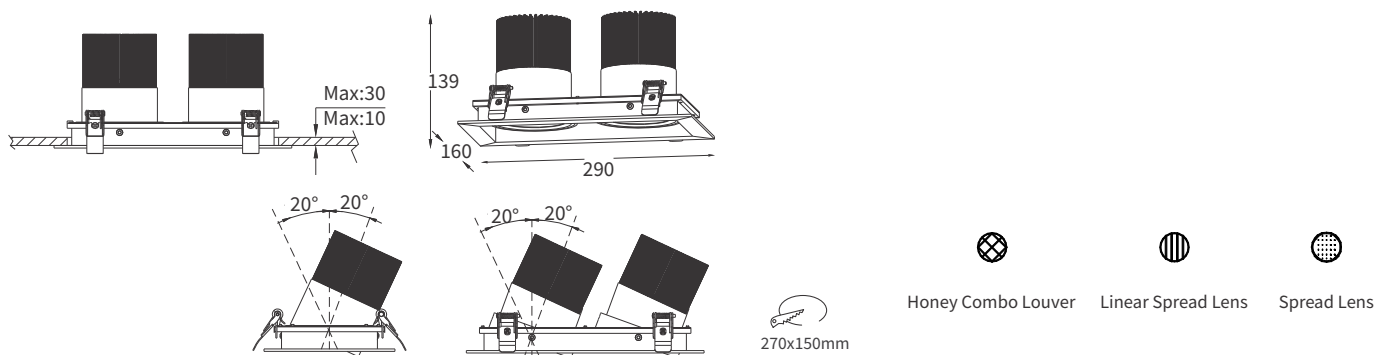
240 VOLTS
Working Voltage

2x28/2x32W
Rated power

ELECTRICAL DATA

POWER CONSUMPTION	2x28/2x32W
SUPPLY VOLTAGE	220-240V AC
COLORS	2700K, 3000K, 3500K, 4000K
CRI	90+
LUMEN	90 lm/W

DIMENSIONS



ORDERING LOGIC

PRODUCT	COLOR TEMPERATURE	CONTROL	VOLTAGE	WATTAGE	BEAM ANGLE	FINISH	ACCESSORIES	CUSTOM
LTC-L	(CT27)	2700K	240VAC	2x28 - 2x28W	N - Narrow	BL - Black	HCL - Honey Combo Louver	xx
	(CT30)	3000K		2x32 - 2x32W	M - Medium	WH - White	LSL - Linear Spread Lens	
	(CT35)	3500K	1-10V		W - Wide	SL - Spread Lens		
	(CT40)	4000K	DALI					

Sample: LTC-L - CT27 - ON/OFF - 240 - 2x28 - N - BL - HCL - XX