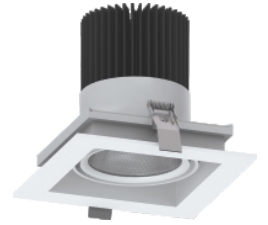


LATTICE LARGE

LTC-L

Mono IP20 CE

YYZ Lattice series comprises single or twin lamps embedded beautifully in a square themed profile (small, medium, large size) with lamps of varied beam angles to match the architectural demands. These downlights are with symmetric light distribution which enables to achieve effective ambient lighting.



FEATURES

| | |
|-----------------|--------------------------------------|
| MATERIAL | Aluminum |
| FINISH | White, Black |
| RATED POWER | 28/32W |
| WORKING VOLTAGE | 220-240V 50/60Hz |
| RADIANCE ANGLE | Narrow, Medium, Wide |
| MOUNTING | Ceiling recessed |
| CONNECTION | Indoor rated connections |
| LAMP LIFE | 50,000 Hrs |
| DIMENSION | 160 x 160 x 139mm (Cutout 150x150mm) |
| OPERATING TEMP | -20° C - +50° C |
| CONTROL | On/Off, Triac, 1-10V, Dali |

LUMILEDS/CITIZEN
LED Quality

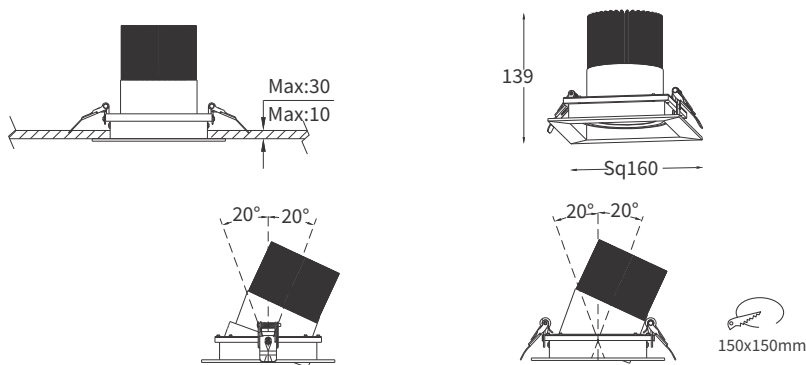
240 VOLTS
Working Voltage

28/32W
Rated power

ELECTRICAL DATA

| | |
|-------------------|----------------------------|
| POWER CONSUMPTION | 28/32W |
| SUPPLY VOLTAGE | 220-240V AC |
| COLORS | 2700K, 3000K, 3500K, 4000K |
| CRI | 90+ |
| LUMEN | 90 lm/W |

DIMENSIONS



Honey Combo Louver

Linear Spread Lens

Spread Lens

ORDERING LOGIC

| PRODUCT | COLOR TEMPERATURE | CONTROL | VOLTAGE | WATTAGE | BEAM ANGLE | FINISH | ACCESSORIES | CUSTOM |
|---------|-------------------|---------|---------|----------|------------|------------|--------------------------|--------|
| LTC-L | (CT27) | 2700K | 240VAC | 28 - 28W | N - Narrow | BL - Black | HCL - Honey Combo Louver | xx |
| | (CT30) | 3000K | | 32 - 32W | M - Medium | WH - White | LSL - Linear Spread Lens | |
| | (CT35) | 3500K | | | W - Wide | | SL - Spread Lens | |
| | (CT40) | 4000K | | | | | | |

Sample: LTC-L - CT27 - ON/OFF - 240 - 28 - N - BL - HCL - XX