

TINY SPOT LIGHT

TNY 6290

Mono IP20 CE

YYZ Tiny spot lights are miniature downlights in die-cast aluminum housing which are designed for wet area applications like jacuzzi, toilets, balcony, exterior entrance that demands water proof construction and resistance to corrosion. These recessed ceiling-mounted downlights with symmetrical light distribution to achieve an effective task or ambient lighting.

FEATURES

| | |
|-----------------|--------------------------|
| MATERIAL | Die-cast aluminum |
| FINISH | White, Black |
| RATED POWER | 5W |
| WORKING CURRENT | 500mA |
| RADIANCE ANGLE | 15°, 24°, 36°, 50° |
| MOUNTING | Ceiling recessed mounted |
| CONNECTION | Indoor rated connections |
| LAMP LIFE | 50,000 Hrs |
| DIMENSION | Ø40 x 62mm(CutoutØ35mm) |
| OPERATING TEMP | -20° C - +50° C |
| CONTROL | On/Off |



CREE
LED Quality

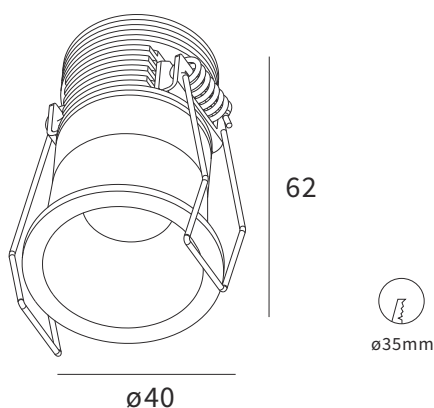
500mA
Working Current

5W
Rated power

ELECTRICAL DATA

| | |
|-------------------|---------------------|
| POWER CONSUMPTION | 5W |
| SUPPLY VOLTAGE | 230V AC |
| COLORS | 2700K, 3000K, 4000K |
| CRI | ≥92 |
| LUMEN | 450lm |

DIMENSIONS



ORDERING LOGIC

| PRODUCT | WATTAGE | COLOR TEMPERATURE | BEAM ANGLE | FINISH | CUSTOM | |
|----------|---------|-------------------|------------|----------|------------|----|
| TNY 6290 | 5 - 5W | (CT27) | 2700K | 15 - 15° | WH - White | |
| | | (CT30) | 3000K | 24 - 24° | BK - Black | |
| | | (CT40) | 4000K | 36 - 36° | | xx |
| | | | | 50 - 50° | | |

Sample: TNY 6290 - 5 - CT27 - 15 - WH - XX

