

MAXI RECESSED DOWN LIGHT SERIES

MRDL 0836

Mono IP54 CE

YYZ Maxi recessed downlight is a range of downlight whose compact design delivers excellent glare free visual comfort, energy efficiency, easy installation, and good architectural integration. It is specially used for general and accent lighting purposes.

FEATURES

| | |
|-----------------|----------------------------------|
| MATERIAL | Aluminum |
| FINISH | White |
| RATED POWER | 10W |
| WORKING CURRENT | 500mA |
| RADIANCE ANGLE | 15°, 24°, 36°, 60° |
| MOUNTING | Ceiling recessed |
| CONNECTION | Indoor rated connections |
| LAMP LIFE | 50,000 Hrs |
| DIMENSION | 85 x 85 x 92mm(Cutout sq75x75mm) |
| OPERATING TEMP | -20° C - +50° C |
| CONTROL | On/Off |



1 LED
LED Quality

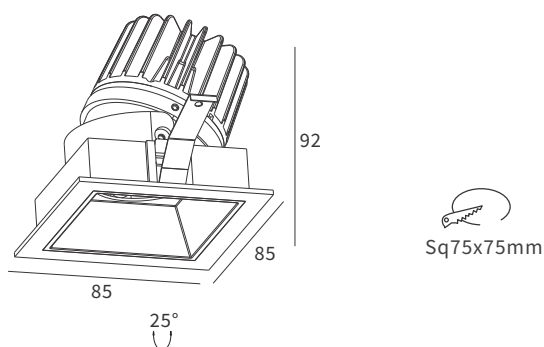
500mA
Working Current

10W
Rated power

ELECTRICAL DATA

| | |
|-------------------|---------------------|
| POWER CONSUMPTION | 10W |
| SUPPLY VOLTAGE | 220-240VAC |
| COLORS | 2700K, 3000K, 4000K |
| CRI | 90+ |
| LUMEN | 80lm/W |

DIMENSIONS



ORDERING LOGIC

| PRODUCT | WATTAGE | COLOR TEMPERATURE | CONTROL | CURRENT | BEAM ANGLE | FINISH | CUSTOM |
|-----------|----------|-------------------|---------|---------|------------|------------|--------|
| MRDL 0836 | 10 - 10W | (CT27) | 2700K | 500mA | 15 - 15° | WH - White | xx |
| | | (CT30) | 3000K | | 24 - 24° | | |
| | | (CT40) | 4000K | | 36 - 36° | | |
| | | | | | 60 - 60° | | |

Sample: MRDL 0836 - 10 - CT27 - ON/OFF - 500mA - 15 - WH - XX