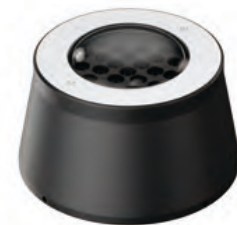


# TORUS

## TRS-320 Mono

**Mono** IP67 CE

YYZ Torus LED inground light for outdoor lighting applications. Transparent and Frosted covers / diffusers with buried mounting sleeves and accessories help to form uniform lighting. These inground LED lighting fixtures will create a beautiful ambiance and enhance the environment. The fixtures are versatile which can add a visual impact and also plays a critical role in safety apart from lighting.



### FEATURES

MATERIAL	STAINLESS STEEL
WORKING VOLTAGE	24V DC, 100-240V AC
RATED POWER	48/54W
BEAM ANGLE	7°/15°/30°/45°/60°/15°x60°
LAMP LIFE	50,000 HRS
MOUNTING	INGROUND SURFACE MOUNTED
DIMENSIONS	Ø320x194mm
OPERATION TEMP	-20° C - +50° C
BODY COLOR	STAINLESS STEEL

CREE  
LED Quality

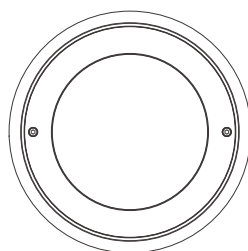
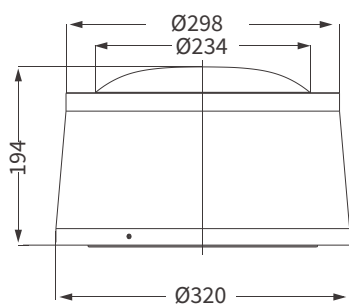
24V DC/240V AC  
Working Voltage

48/54W  
Rated power

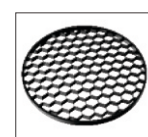
### ELECTRICAL DATA

POWER CONSUMPTION	48/54W
SUPPLY VOLTAGE	24V DC, 100-240V AC
COLORS	2700K, 3000K, 4000K, 5000K, 6000K
CONTROL	DMX512
CRI	80+
LUMEN	47-50lm /W

### DIMENSION



Bullseyes Louver



Honeycomb Louver

### ORDERING LOGIC

PRODUCT	WATTAGE	COLOR TEMPERATURE	VOLTAGE	BEAM ANGLE	FINISH	ACCESSORIES	CUSTOM
TRS 320	48 - 48W	(CT27)	2700K	24 - 24V DC	7 - 7°	SS - Stainless Steel	HCL - Honeycomb Louver BL - Bullseyes Louver
		(CT30)	3000K	AC -240V AC	15 - 15°		
	(CT40)	4000K	30 - 30°				
	(CT50)	5000K	45 - 45°				
	(CT60)	6000K	60 - 60°				
				15x60 - 15°x60°			

Sample: TRS 320 - 48 - CT27 - 24 - 7 - SS - HCL - XX