

# TORUS

## TRS-200 Mono

**Mono** IP67 CE

YYZ Torus LED inground light for outdoor lighting applications. Transparent and Frosted covers / diffusers with buried mounting sleeves and accessories help to form uniform lighting. These inground LED lighting fixtures will create a beautiful ambiance and enhance the environment. The fixtures are versatile which can add a visual impact and also plays a critical role in safety apart from lighting.

### FEATURES

MATERIAL	STAINLESS STEEL
WORKING VOLTAGE	24V DC, 100-240V AC
RATED POWER	18/24W
BEAM ANGLE	7°/15°/30°/45°/60°/15°x60°
LAMP LIFE	50,000 HRS
MOUNTING	INGROUND SURFACE MOUNTED
DIMENSIONS	Ø200x152.2mm
OPERATION TEMP	-20° C - +50° C
BODY COLOR	STAINLESS STEEL



CREE LED Quality

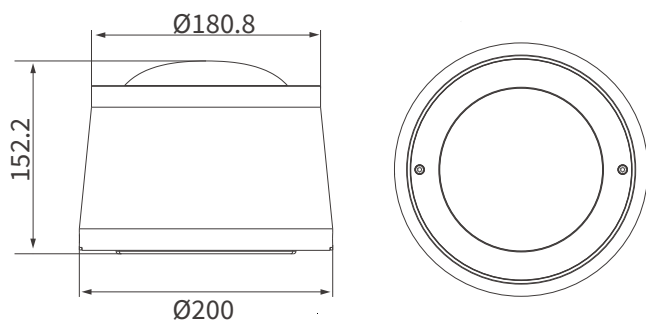
24V DC/240V AC Working Voltage

18/24W Rated power

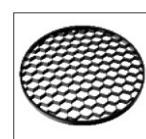
### ELECTRICAL DATA

POWER CONSUMPTION	18/24W
SUPPLY VOLTAGE	24V DC, 100-240V AC
COLORS	2700K, 3000K, 4000K, 5000K, 6000K
CONTROL	On/Off
CRI	80+
LUMEN	47-50lm /W

### DIMENSION



Bullseyes Louver



Honeycomb Louver

### ORDERING LOGIC

PRODUCT	WATTAGE	COLOR TEMPERATURE	VOLTAGE	BEAM ANGLE	FINISH	ACCESSORIES	CUSTOM
TRS 200	18 - 18W	(CT27)	2700K	24 - 24V DC	7 - 7°	SS - Stainless Steel	HCL - Honeycomb Louver BL - Bullseyes Louver
		(CT30)	3000K	AC -240V AC	15 - 15°		
	(CT40)	4000K	30 - 30°				
	(CT50)	5000K	45 - 45°				
	(CT60)	6000K	60 - 60°				
				15x60 - 15°x60°			

Sample: TRS 200 - 18 - CT27 - 24 - 7 - SS - HCL - XX