

TORUS

TRS-200 Mono

Mono IP67 CE

YYZ Torus LED inground light for outdoor lighting applications. Transparent and Frosted covers / diffusers with buried mounting sleeves and accessories help to form uniform lighting. These inground LED lighting fixtures will create a beautiful ambiance and enhance the environment. The fixtures are versatile which can add a visual impact and also plays a critical role in safety apart from lighting.



FEATURES

MATERIAL	STAINLESS STEEL
WORKING VOLTAGE	24V DC, 100-240V AC
RATED POWER	12W
BEAM ANGLE	18°/30°/40°/60°
LAMP LIFE	50,000 HRS
MOUNTING	FLOOR RECESSED
DIMENSIONS	Ø200x224mm
OPERATION TEMP	-20° C - +50° C
BODY COLOR	STAINLESS STEEL

CREE LED Quality

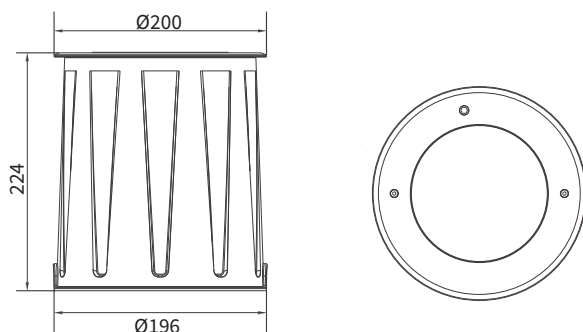
24V DC/240V AC Working Voltage

12W Rated power

ELECTRICAL DATA

POWER CONSUMPTION	12W
SUPPLY VOLTAGE	24V DC, 100-240V AC
COLORS	2700K, 3000K, 4000K, 5000K, 6000K
CONTROL	On/Off
CRI	80+
LUMEN	47-50lm /W

DIMENSION



Bullseyes Louver

ORDERING LOGIC

PRODUCT	WATTAGE	COLOR TEMPERATURE	VOLTAGE	BEAM ANGLE	FINISH	CUSTOM	
TRS 200	12 - 12W	(CT27)	2700K	24 - 24V DC	20 - 20°	SS - Stainless Steel	XX - XX
		(CT30)	3000K	AC -240V AC	30 - 30°		
		(CT40)	4000K		40 - 40°		
		(CT50)	5000K		35x53 - 35°x53°		
		(CT60)	6000K		40x70 - 40°x70°		
					50x95 - 50°x95°		

Sample: TRS 200 - 12 - CT27 - 24 - 20 - SS - BL - XX