

# TORUS

## TRS-62-Mono

**Mono** IP67 CE

YYZ Torus LED inground light for outdoor lighting applications. Transparent and Frosted covers / diffusers with buried mounting sleeves and accessories help to form uniform lighting. These inground LED lighting fixtures will create a beautiful ambiance and enhance the environment. The fixtures are versatile which can add a visual impact and also plays a critical role in safety apart from lighting.

### FEATURES

MATERIAL	STAINLESS STEEL
WORKING VOLTAGE	24V DC
RATED POWER	1/3W
BEAM ANGLE	7°/15°/30°/45°/60°/15°x60°
LAMP LIFE	50,000 HRS
MOUNTING	FLOOR RECESSED
DIMENSIONS	Ø62x115.5mm
OPERATION TEMP	-20° C - +50° C
BODY COLOR	STAINLESS STEEL

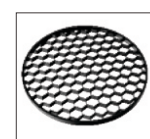
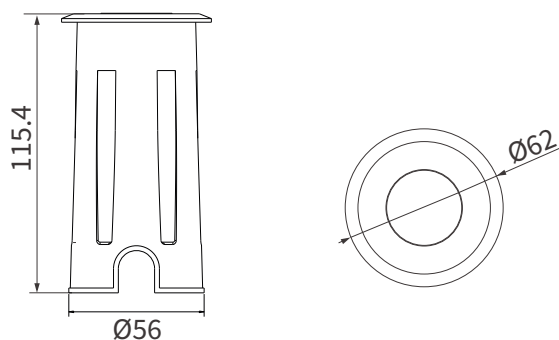


- CREE LED Quality
- 24V DC Working Voltage
- 1/3W Rated power

### ELECTRICAL DATA

POWER CONSUMPTION	1/3W
SUPPLY VOLTAGE	24V DC
COLORS	2700K, 3000K, 4000K, 5000K, 6000K
CONTROL	DMX512
CRI	80+
LUMEN	32-70lm @ 1W, 60-105lm @ 3W

### DIMENSION



Honeycomb Louver

### ORDERING LOGIC

PRODUCT	WATTAGE	COLOR TEMPERATURE	VOLTAGE	BEAM ANGLE	FINISH	ACCESSORIES	CUSTOM
TRS 62	1 - 1W	(CT27)	24 - 24V DC	7°	SS - Stainless Steel	HCL - Honeycomb Louver	XX - XX
		2700K		7°			
	3 - 3W	(CT30)		15°			
		3000K		15°			
		(CT40)		30°			
		4000K		30°			
(CT50)	45°	45°					
5000K	45°	45°					
(CT60)	60°	60°					
6000K	60°	60°					
			15x60 - 15°x60°				

Sample: TRS 62 - 1 - CT27 - 24 - 7 - SS - HCL - XX