

MYRIAD TRACK LIGHT

MRD

Mono IP20 CE

YYZ myriad track lights houses driver unit to the track adapter allowing better thermal performance and hence the light output.

Options of various optics on a 1-circuit, 3-circuit adapter with wide range of dimming options makes the system versatile.



FEATURES

FINISH	BLACK, GREY, WHITE
WORKING VOLTAGE	220-240V 50/60Hz
RATED POWER	20W
RADIANCE ANGLE	NARROW, MEDIUM, WIDE, ULTRA WIDE
LAMP LIFE	50,000 HRS
MOUNTING	TRACK MOUNTED
CONNECTION	INDOOR RATED CONNECTIONS
DIMENSIONS	Ø58 x 188 x 185mm
OPERATION TEMP	-20° C - +50° C
CONTROL	ON/OFF, TRIAC, 1-10V, DALI

CITIZEN/LUMILEDS
LED Quality

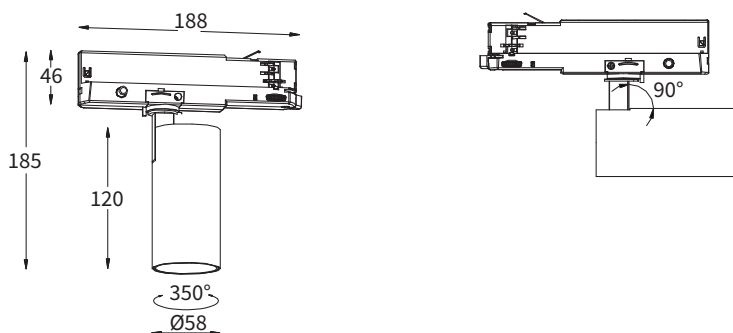
240 VOLTS
Working Voltage

20 W
Rated power

ELECTRICAL DATA

POWER CONSUMPTION	20W
SUPPLY VOLTAGE	220-240VAC
COLORS	2700K, 3000K, 3500K, 4000K
CRI	90+
LUMEN	90lm/W

DIMENSIONS



ORDERING LOGIC

PRODUCT	CONTROL	WATTAGE	COLOR TEMPERATURE	VOLTAGE	BEAM ANGLE	FINISH	ACCESSORIES
MRD-20	ON/OFF	20 - 20W	(CT27)	240VAC	N - Narrow	BL - Black	HCL - Honey Combo Louver
	TRIAC		(CT30)		M - Medium	GR - Grey	LSL - Linear Spread Lens
	1-10V		(CT35)		W - Wide	WH - White	WWV - Wall Washer Visor
	DALI		(CT40)		UW- Ultra wide		SP - Spread Lens
							BD - Barn Doors

Sample: MRD-20 - ON/OFF - 20 - CT27 - 240 - N - BL - HCL - XX

Honeycomb Linear spread lens Wall washer visor Spread lens Barn doors