

SML-10-SPOT LIGHT-10W



YYZ SML series spot light Mono is high brightness and easy installation for Landscape solution. Available in different wattage. IP65, UV-resistant. Aluminum black body finish.

FEATURES

LED QUANTITY	1Nos
FINISH	BLACK /GREY
WORKING VOLTAGE	220-240 VAC
RATED POWER	10W
RADIANCE ANGLE	13°/23°/38°
LAMP LIFE	50000 HRS
MOUNTING	GROUND / SPIKE / TREE MOUNT BRACKET
CONNECTION	OUTDOOR RATED CONNECTIONS
DIMENSIONS	Ø60 x 150 x 355 mm
OPERATION TEMP	-20° C - +50° C
STORAGE TEMP	-20° C - +60° C
CABLE	H05RN 1 Mtr PIG TAIL
BODY	ALUMINUM 6063



1 LED CREE
LED Quality

V 220-240 VOLTS
Working Voltage

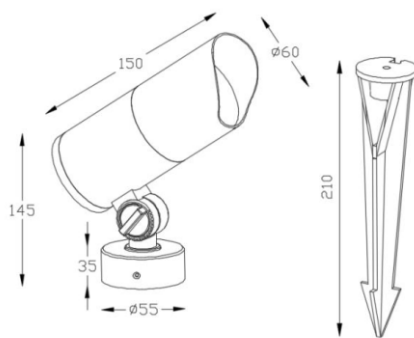
W 10W
Rated power

ELECTRICAL DATA

POWER CONSUMPTION	10W
SUPPLY VOLTAGE	220-240 VAC INTEGRAL DRIVER
CRI	80+
LEDS	CREE COB
LUMENS	894 lm @ 3000K



DRAWING



ORDERING LOGIC

PRODUCT	CONTROL	OPTIC	COLOR TEMPARTURE	VOLTAGE	MOUNTING	CONNECTION	FINISH	ACCESSORIES	CUSTOM
SML 10	ND- Non Dimmable (Dimming options discuss with factory)	13 - 13° (CT27) 23 - 23° (CT30) 38 - 38° (CTXX)	2700K 3000K Custom	220-240 VAC	SP - Spike SM - Surface Mount TM - Tree Mount	PT - Pig Tail	GR - Grey BK - Black XX - Custom	HCL - Honey Comb Louver	XX - XXX

Sample: SML 10 - ND - 13 - CT27 - 220-240 - SP - PT - GR - HCL - XX