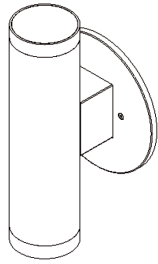


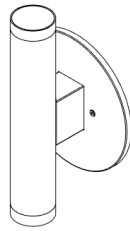
# BIRCHEN WALL MOUNT INSTALLATION

BIR-WM

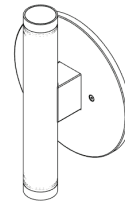
## COMPATIBLE FIXTURES



Birchen Wall Mount  
Large (15W)



Birchen Wall Mount  
Medium (10W)



Birchen Wall Mount  
Small (5W)

## INSTALLATION INSTRUCTIONS

Read instructions carefully to ensure proper installation.  
Please keep this instruction manual for future use.

### ⚠ WARNING

To avoid the risk of fire, or electric shock this product should be installed, inspected and maintained by a qualified electrician only. Installation should be completely by an individual familiar with the construction and operation of the luminaire. Installation of luminaire must be in accordance with nation and local building and electrical codes.



Flammable



Warning



Low Voltage



Hot Surface

## SAFETY WARNING

To avoid electric shock:

Be certain electrical power is OFF before and during installation and maintenance.

Luminaire must be supplied by a wiring system with an equipment grounding conductor.

To avoid burning hands:

Make sure lens and housing are cool when performing maintenance.

To avoid product degradation:

Make sure the wire supply voltage is the same as the luminaire supply.

Use proper supply wiring as specified on the luminaire nameplate.

Avoid use in environments containing sulfur, chlorine, or other halides, methyl acetate or ethyl acetate, cyanoacrylates, glycol ethers, formaldehyde or butadiene.

## NOTES

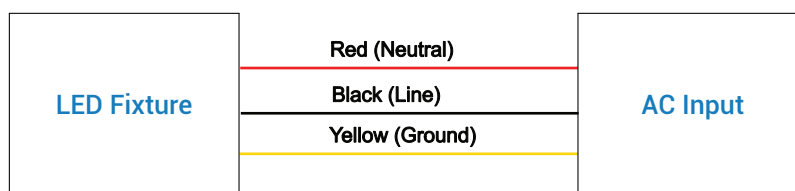
Do not restrict luminaire ventilation.

Ensure LED luminaire is not covered with material that will prevent convection or conduction cooling.

Ensure LED luminaire has the correct polarity before installation.

Avoid exposing wiring to metal edges and sharp objects.

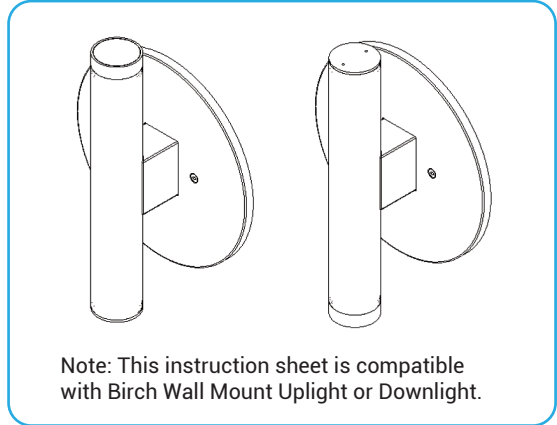
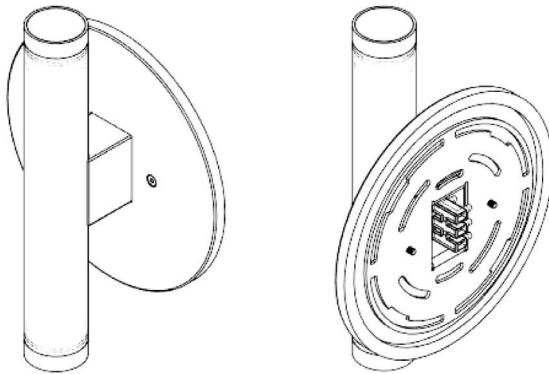
## WIRING DIAGRAM



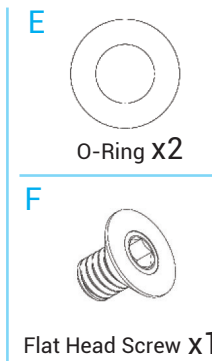
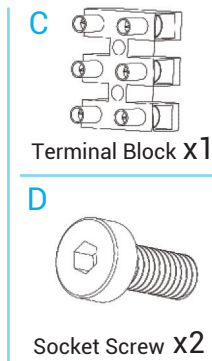
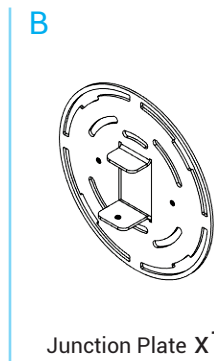
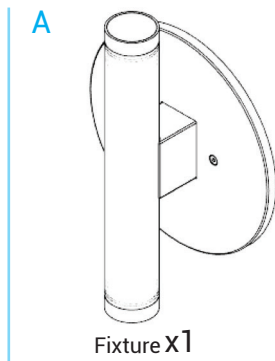
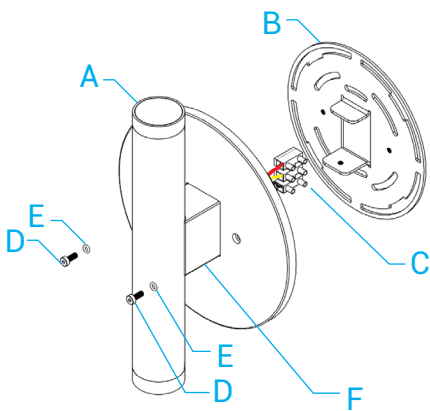
# BIRCHEN WALL MOUNT INSTALLATION

BIR-WM

## ASSEMBLED OUTLOOK



## PARTS LIST



## INSTRUCTIONS

**STEP 1**

1.1) Align the slot on the Junction Plate (B) with the holes located on the Junction Box.

1.2) Ensure that the hole located within the Junction Plate (B) is facing downward.

1.3) Screw in the slot on the Junction Plate (B) to the indicated location on Junction Box. (Junction Box and screws are not provided.)

**STEP 2**

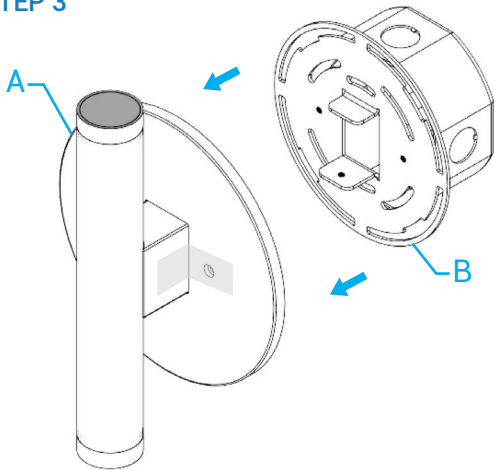
2.1) Feed wires from the Terminal Box (C) within Fixture (A) through the Junction Plate (B). Connect wires in proper correspondence with the Junction Box wires.

2.2) Please note: the Red wire represents neutral charge, Black wire represents the line, and Yellow represents the ground.

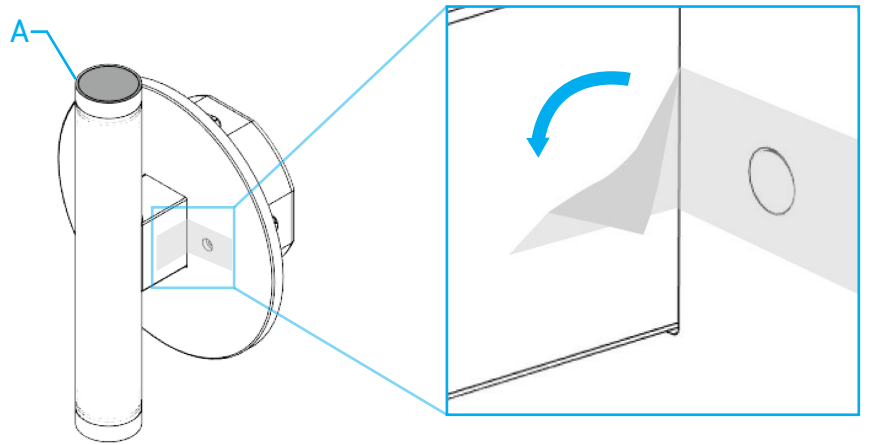
# BIRCHEN WALL MOUNT INSTALLATION

BIR-WM

## STEP 3

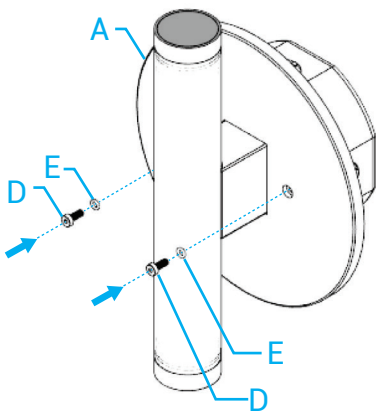


3.1) Place together Fixture (A) and the Junction Plate (B).

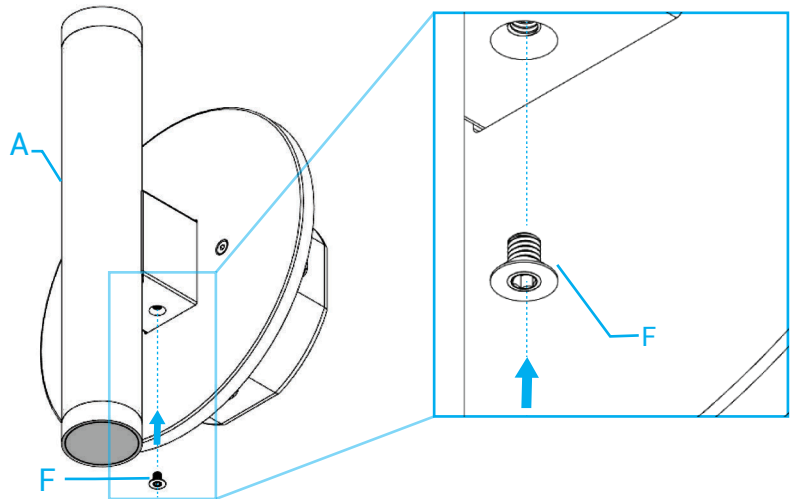


3.2) Remove the protective tape located on the Fixture (A).

## STEP 4

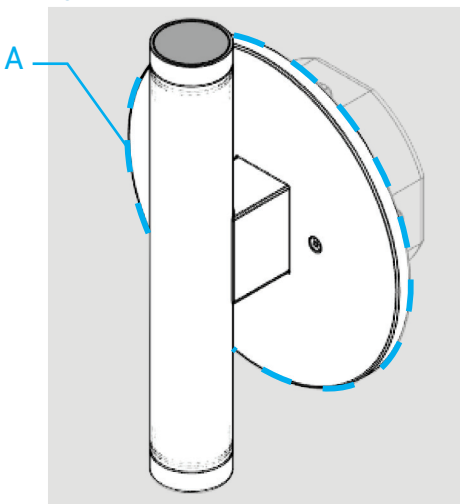


4.1) Insert the O-Ring (E) within the Socket Screw (D) and proceed to screw within Fixture (A) to screw pieces in place.

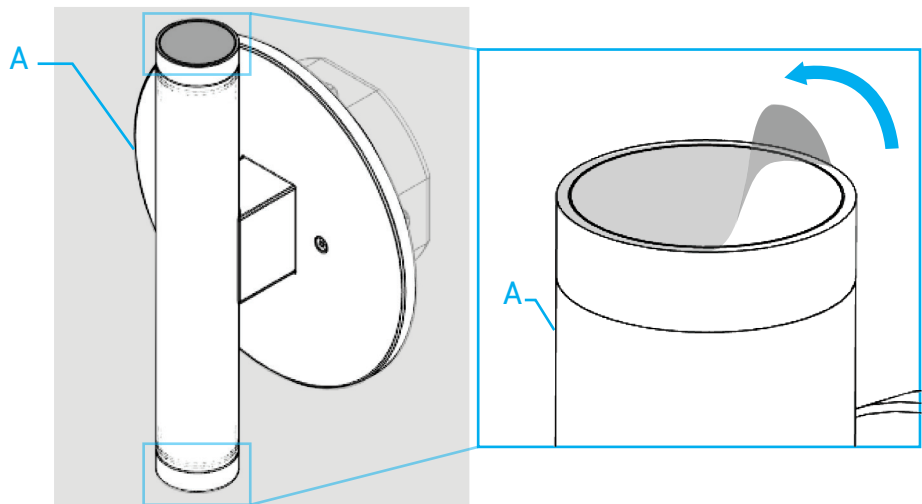


4.2) Screw the Flat Head Screw (F) in the indicated location within the Fixture (A).

## STEP 5



5.1) Apply waterproof sealant between the Fixture (A) and wall surface. (Sealant is not provided.)



4.2) Remove the protective tape from the top and bottom lights of the Fixture (A) prior to powering on.