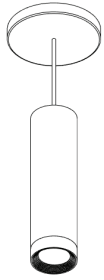


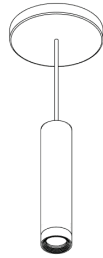
BIRCHEN PENDANT MOUNT INSTALLATION

BIR-P

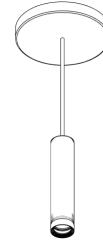
COMPATIBLE FIXTURES



Birchen Pendant
Large (15W)



Birchen Pendant
Medium (10W)



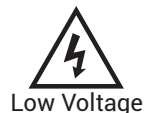
Birchen Pendant
Small (5W)

INSTALLATION INSTRUCTIONS

Read instructions carefully to ensure proper installation.
Please keep this instruction manual for future use.

WARNING

To avoid the risk of fire, or electric shock this product should be installed, inspected and maintained by a qualified electrician only. Installation should be completely by an individual familiar with the construction and operation of the luminaire. Installation of luminaire must be in accordance with nation and local building and electrical codes.



SAFETY WARNING

To avoid electric shock:

Be certain electrical power is OFF before and during installation and maintenance.
Luminaire must be supplied by a wiring system with an equipment grounding conductor.

To avoid burning hands:

Make sure lens and housing are cool when performing maintenance.

To avoid product degradation:

Make sure the wire supply voltage is the same as the luminaire supply.

Use proper supply wiring as specified on the luminaire nameplate.

Avoid use in environments containing sulfur, chlorine, or other halides, methyl acetate or ethyl acetate, cyanoacrylates, glycol ethers, formaldehyde or butadiene.

NOTES

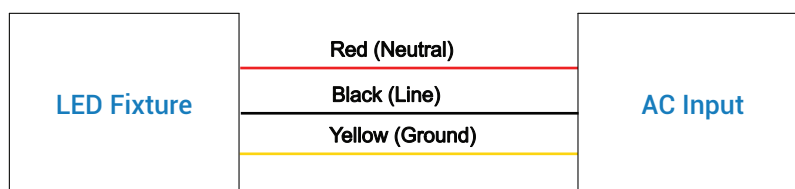
Do not restrict luminaire ventilation.

Ensure LED luminaire is not covered with material that will prevent convection or conduction cooling.

Ensure LED luminaire has the correct polarity before installation.

Avoid exposing wiring to metal edges and sharp objects.

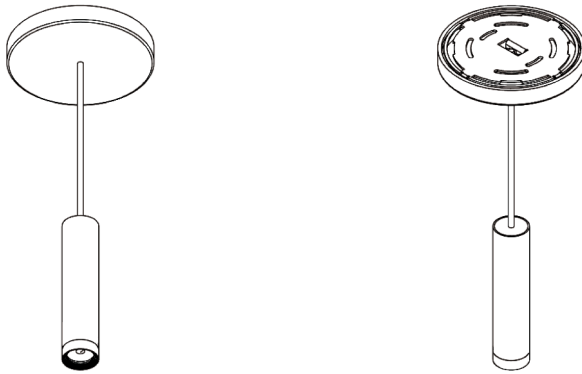
WIRING DIAGRAM



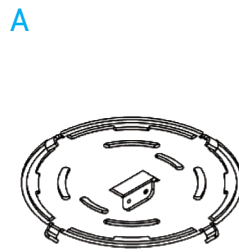
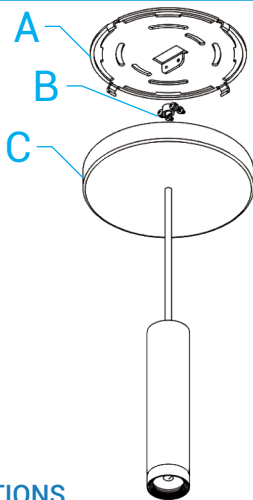
BIRCHEN PENDANT MOUNT INSTALLATION

BIR-P

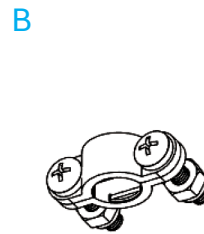
ASSEMBLED OUTLOOK



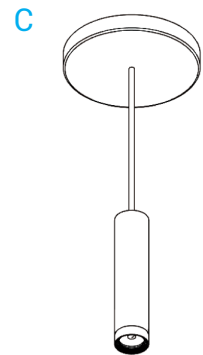
PARTS LIST



Ceiling Plate X1



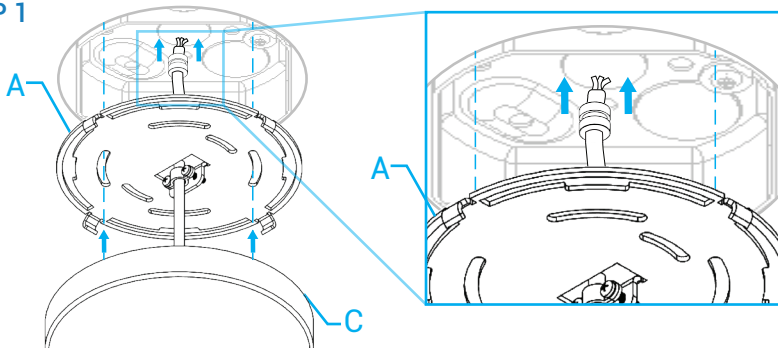
Cable Gripper X1



Fixture X1

INSTRUCTIONS

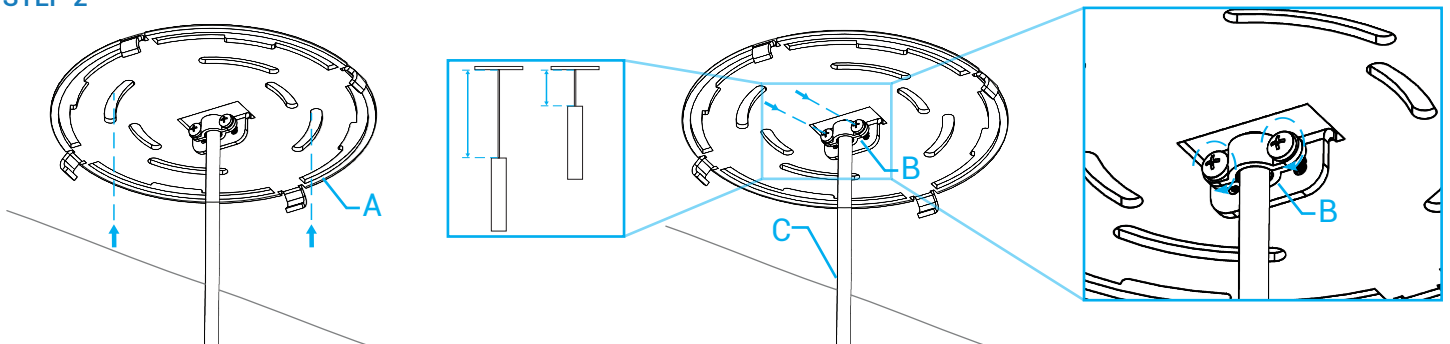
STEP 1



1.1) Feed the Fixture (C) cable wires through the Ceiling Plate (A), then connect cable wires with the Junction Box wires.

1.2) Align the Ceiling Plate (A) within the Junction Box.

STEP 2



2.1) Proceed to secure Ceiling Plate (A) with fastenal screws. (Please note: Screws are not provided.)

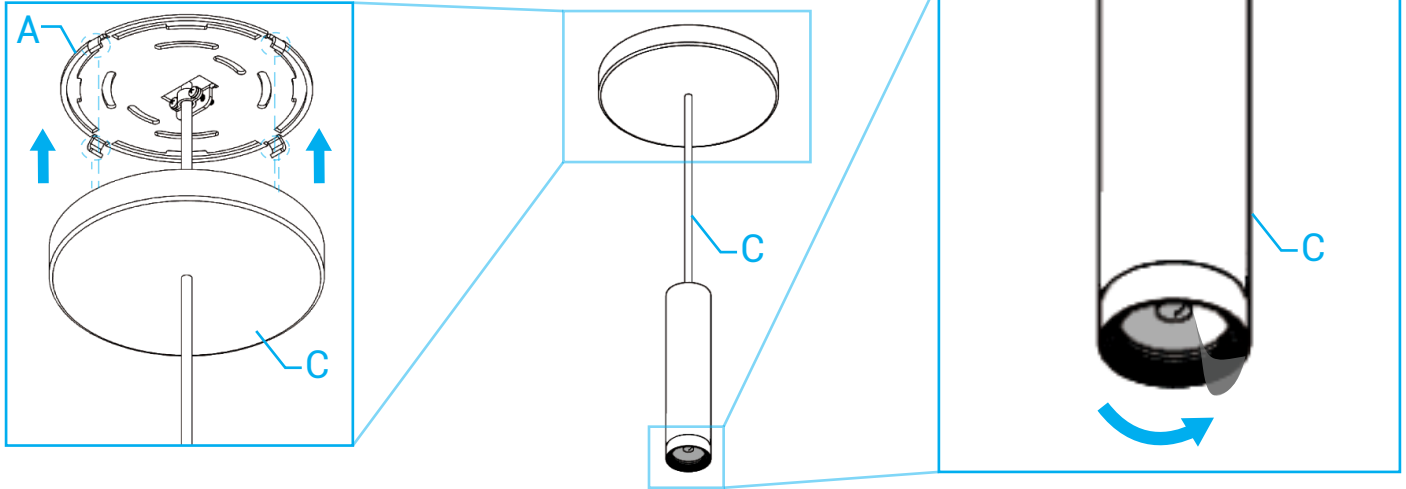
2.2) Adjust Fixture (C) cable length as desired.

2.3) Secure Fixture (C) cable length by tightening the Cable Gripper (B).

BIRCHEN PENDANT MOUNT INSTALLATION

BIR-P

STEP 3



2.1) Attach Plate Cover (C) to Ceiling Plate (A) clips.

2.3) Remove the protective tape from the bottom light of the Fixture (A) prior to powering on.