

VICTORIA BOLLARD INSTALLATION

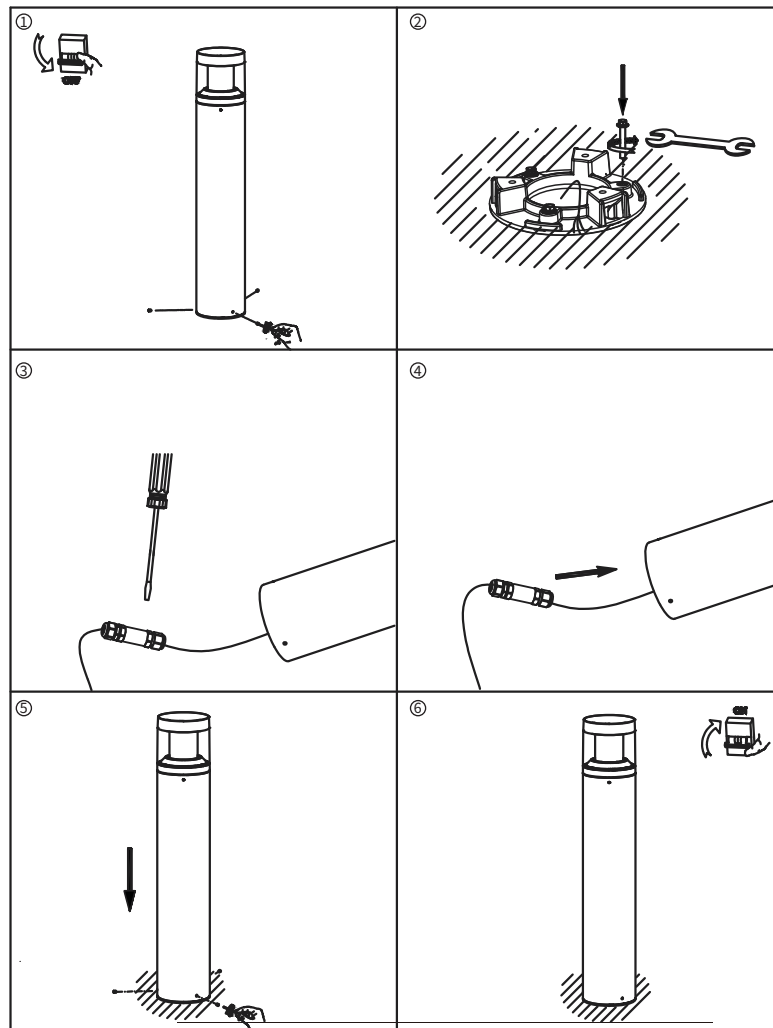
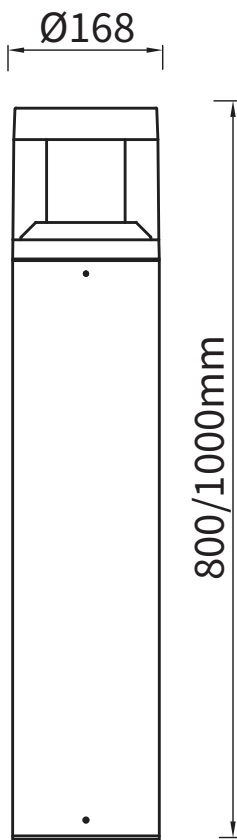
VCT-BL

Mono IP65 CE IK08

INSTALLATION MANUAL

VICTORIA Bollard range are robust, weather-proof, designed to add light and attract attention to any Pathways, Walkway. All these applications can be achieved while maintaining very low power consumption, making Bollard Lights the perfect solution to a Landscaping in need of some illumination.

VICTORIA Bollard offer a highly robust solution for illuminating locations, sides, areas in your walkway, driveway or in garden. The rugged aluminium design means that this product is highly durable and will provide years of illumination and unlimited positioning options thanks to its highly versatile fitting system.



SAFETY NOTE

During installation the low voltage power supply unit must be plugged in to a suitably protected mains power supply socket. The lamps, interconnecting cables and power supply are all designed to be installed by unqualified personnel. However, the mains power supply socket must be installed by a qualified electrician in a way that complies with the current wiring regulations. If you are in any doubt about your ability (or qualifications) to do this work we recommend that you use a qualified electrician to install the product.