

INSTALLATION MANUAL WARDROBE SENSOR LIGHT

WSL

IP20
NON-WATER
PROOF

MANUAL

Product technical data available on the label.

Please read the following instructions carefully and keep for future reference.

Always disconnect the power supply before installing the fixture or performing maintenance on it.

This fixture must be installed by a qualified electrician.

Unauthorized alterations to or tampering with the product will invalidate the warranty.

YYZ Lighting reserves the right to change the information contained in this document at any time without prior notice being given.

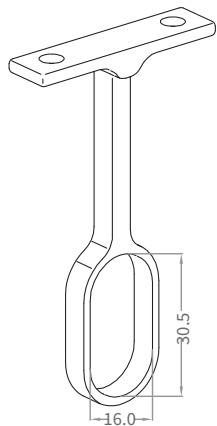
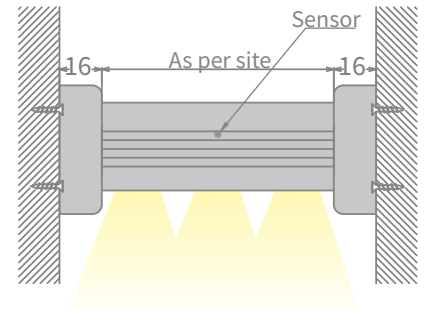
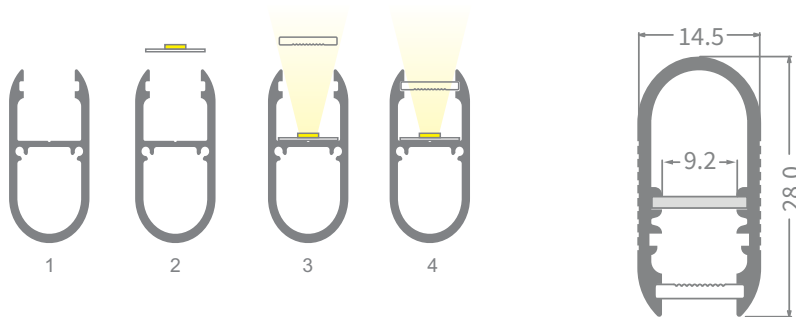
YYZ Lighting will not be held responsible if its fixtures are not installed in accordance with local standards.

Product for indoor and outdoor applications.

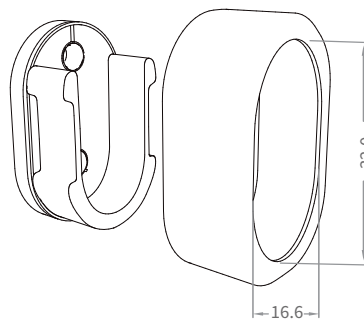
Warning: do not use high-pressure jets to clean the product.

To clean the lens, use only a damp cloth. Do not use cleaning products or alcohol.

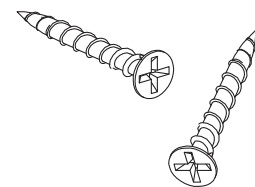
Max temperature of lighting fixture: 45° C



Support Bracket

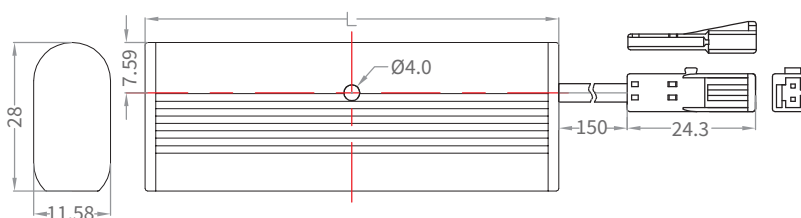


Wall Bracket



M4x16

Screw



FIXING HOLDER



FIXING CLIP



END CAP

WSL

