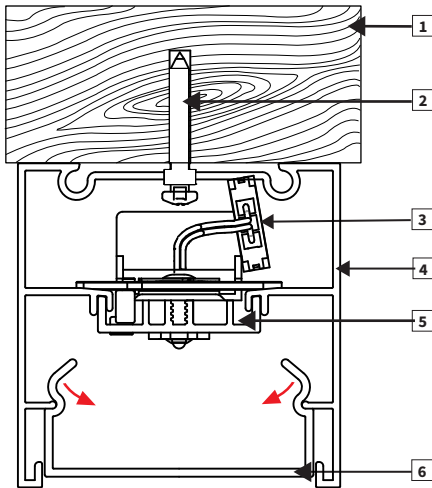


APERTURE-24-TRIMLESS INSTALLATION MANUAL

APR24

IP20/IP54 CE

INSTALLATION INSTRUCTION



- 1.Support structure
- 2.Fastner
- 3.Power Connection
- 4.Profile
- 5.Gear Tray
- 6.Diffuser

