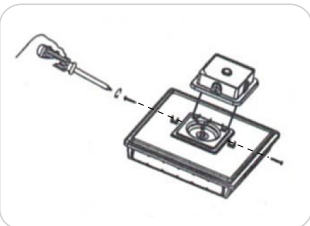
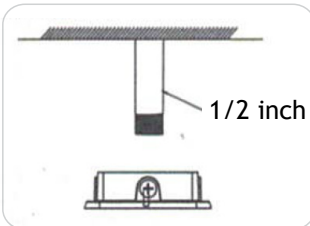
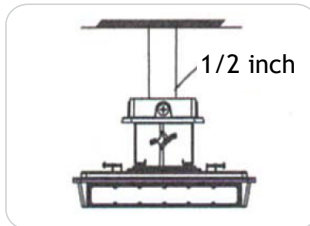
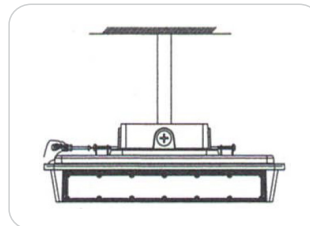


## ⚠ NOTICE

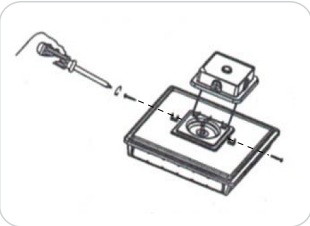
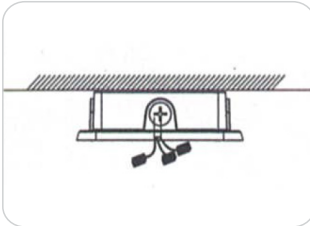
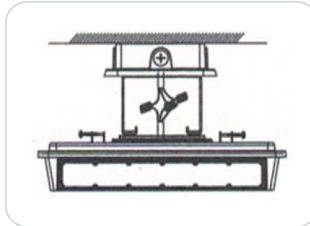
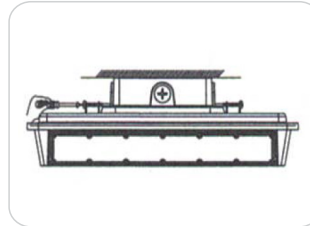
### PLEASE READ ALL INSTRUCTIONS BEFORE ATTEMPTING INSTALLATION

- To prevent personal injury or product damage, only licensed electricians should install.
- To avoid electric shock or component damage, disconnect power before attempting installation or servicing.
- This product must be installed in accordance with the national electric code (NEC) and all applicable federal, state and local electric codes and safety standards.
- Disconnect product and allow cooling prior to servicing.
- Any alteration or modification of this product is expressly forbidden as it may cause serious personal injury, death, property damage and/or product malfunction.
- To prevent product malfunction and/or electrical shock this product must be properly grounded.
- This luminaire is designed to operate in ambient temperatures ranging from -30°C to 40°C and to be horizontally mounted with the LEDs facing down.

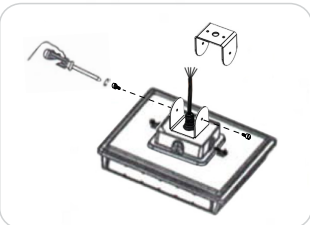
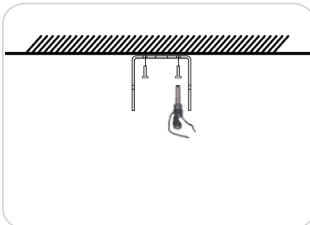
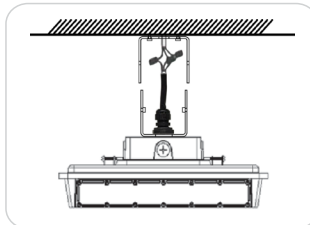
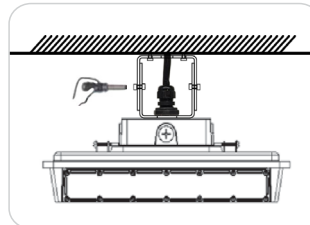
## INSTALLATION - ON CEILING PENDANT

<p><b>1</b></p>  <p>1) Loosen the two bolts of the LED Junction-box and release the Junction-Box.</p>	<p><b>2</b></p>  <p>2) Install the junction box to ceiling pendant position.</p>	<p><b>3</b></p>  <p>3) Have a licensed electrician uses the correct installation tools to install the Junction-box and install the power line properly.</p>	<p><b>4</b></p>  <p>4) Check that the power line is properly installed and tighten the two bolts of the screw.</p>
---	---	---	---

## INSTALLATION - ON CEILING

<p><b>1</b></p>  <p>1) Loosen the two bolts of the LED Junction-box and release the Junction-Box.</p>	<p><b>2</b></p>  <p>2) Install the junction box to ceiling position.</p>	<p><b>3</b></p>  <p>3) Have a licensed electrician uses the correct installation tools to install the Junction-box and install the power line properly.</p>	<p><b>4</b></p>  <p>4) Check that the power line is properly installed and tighten the two bolts of the screw.</p>
---	---	---	---

## INSTALLATION - ON CEILING WITH TRUNNION MOUNT

<p><b>1</b></p>  <p>1) Remove two bolts of the Trunnion Mount and release the Top Trunnion Mount.</p>	<p><b>2</b></p>  <p>2) Install the Top Trunnion Mount to the ceiling.</p>	<p><b>3</b></p>  <p>3) Have a licensed electrician uses the correct installation tools to install the power line properly.</p>	<p><b>4</b></p>  <p>4) Check that the power line is properly installed and tighten the two bolts of the screw.</p>
---	--	--	---

### WIRING SYSTEM DIAGRAM - MOTION SENSOR

The wiring diagram is as follows:

