

# APERTURE NA INSTALLATION SHEET

## APR-NA

### INSTALLATION INSTRUCTIONS

Read Instruction manual carefully to ensure proper installation.  
Please keep this instruction manual for future using!

#### **⚠ WARNING**

To avoid the risk of fire, or electric shock this product should be installed, inspected and maintained by a qualified electrician only. Installation should be completely by an individual familiar with the construction and operation of the luminaire. Installation of luminaire must be in accordance with nation and local building and electrical codes.

#### SAFETY WARNING

- To avoid electric shock:  
Be certain electrical power is OFF before and during installation and maintenance.  
Luminaire must be supplied by a wiring system with an equipment grounding conductor.
- To avoid burning hands:  
Make sure lens and housing are cool when performing maintenance.
- To avoid product degradation:  
Make sure the wire supply voltage is the same as the luminaire supply.  
Use proper wiring as specified on the luminaire nameplate.  
Avoid use in environments containing sulfur, chlorine, or other halides, methyl acetate or ethyl acetate, cyanoacrylates, glycol ethers, formaldehyde or butadiene.

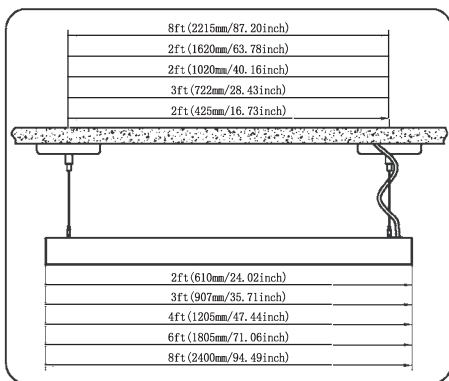
#### NOTES

- Instructions do not cover all details and all possible product configurations.
- Do not restrict luminaire ventilation.
- Ensure LED luminaire is not covered with material that will prevent convection or conduction cooling.
- Ensure LED luminaire has the correct polarity before installation.
- Avoid exposing wiring to metal edges and sharp objects.

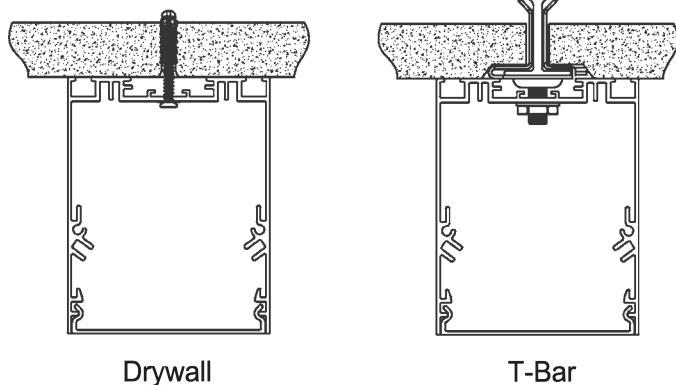
#### MAINTENANCE

Perform visual, electrical inspections on a regular basis. The environment and frequency of use should determine this. However, it is recommended that checks be made at least once a year. Electrically check to make sure that all connections are clean and tight. Mechanically check that all parts are properly assembled

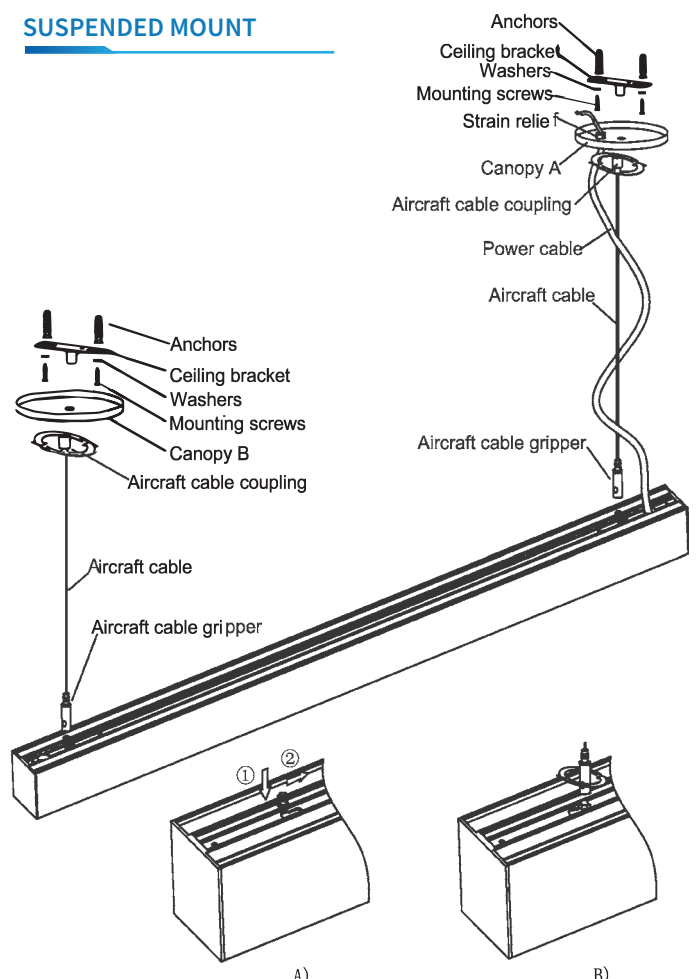
#### INSTALLATION DIMENSION (SUSPENDED)



#### SURFACE MOUNTED



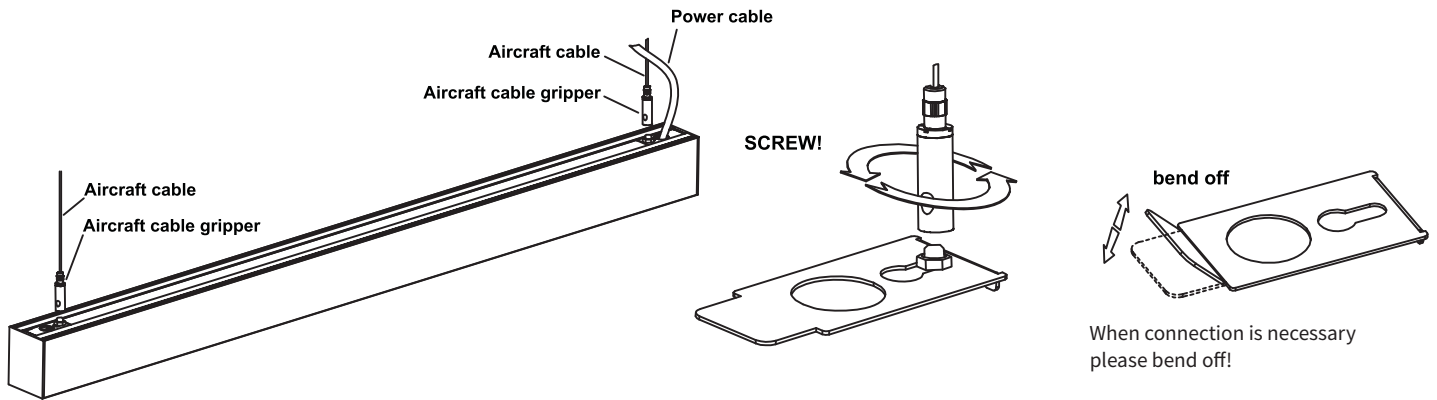
#### SUSPENDED MOUNT



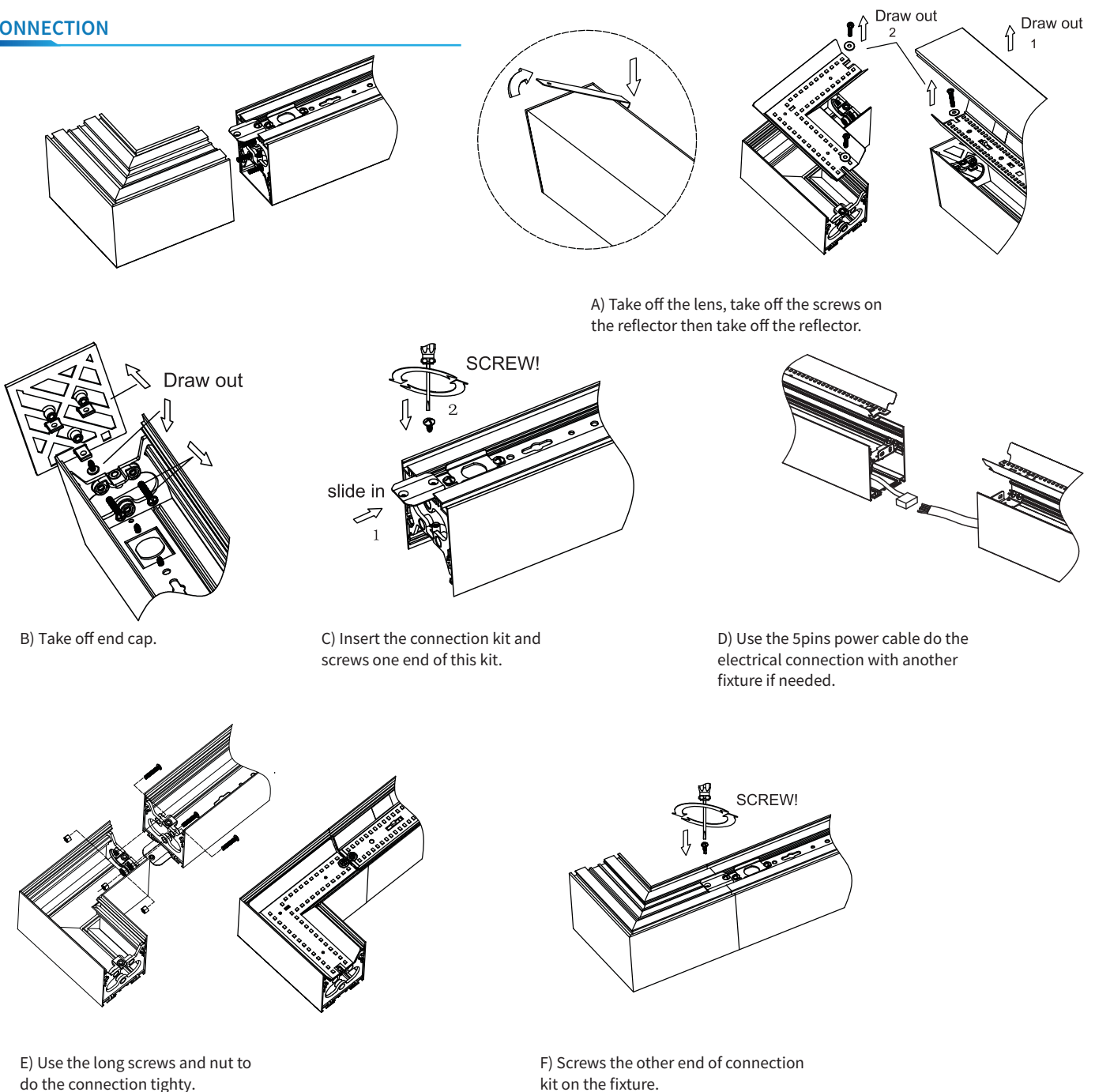
# APERTURE NA INSTALLATION SHEET

## APR-NA

### SUSPENDED MOUNT (UP & DOWN LIGHTING VERSION)



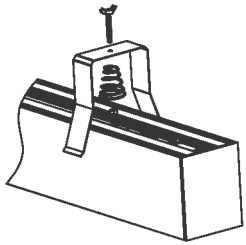
### CONNECTION



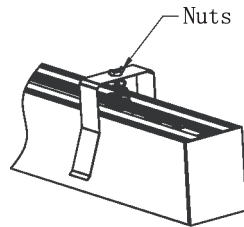
# APERTURE NA INSTALLATION SHEET

## APR-NA

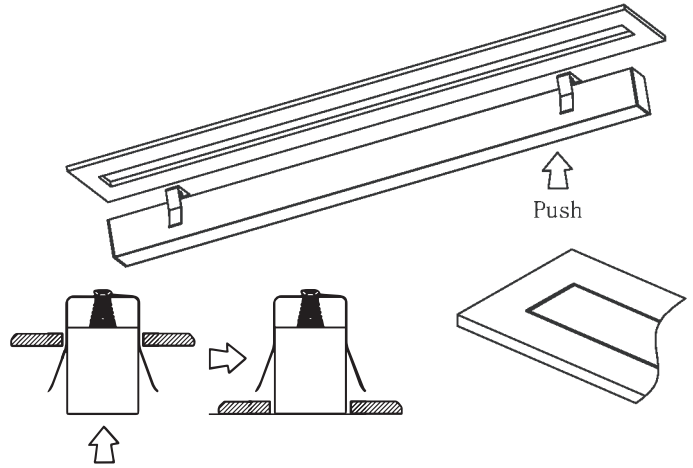
### RECESSED



A) Install the recessed kit.

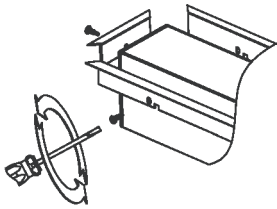


B) Adjust the distance by nuts.

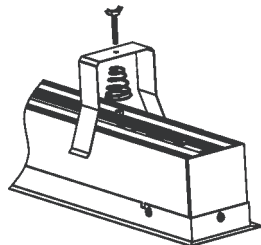


C) Recessed in the plasterboard T-Bar.

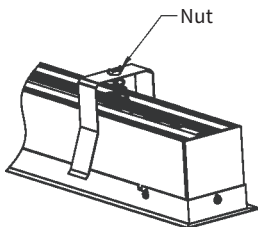
### FLANGED RECESSED



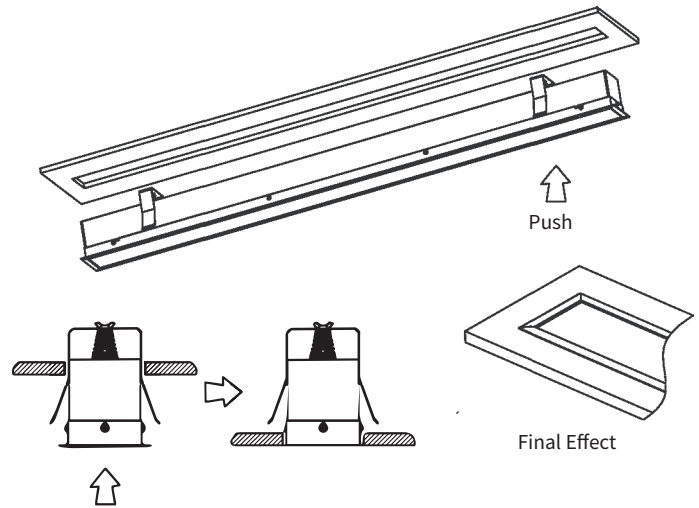
A) Install the flanged by screws.



B) Install the recessed kit.

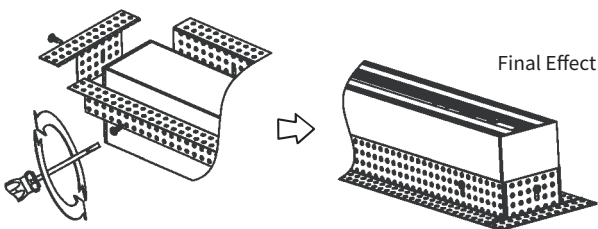


C) Adjust the distance by nuts.

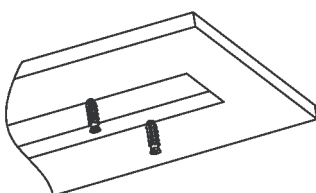


D) Recessed in the plasterboard T-Bar.

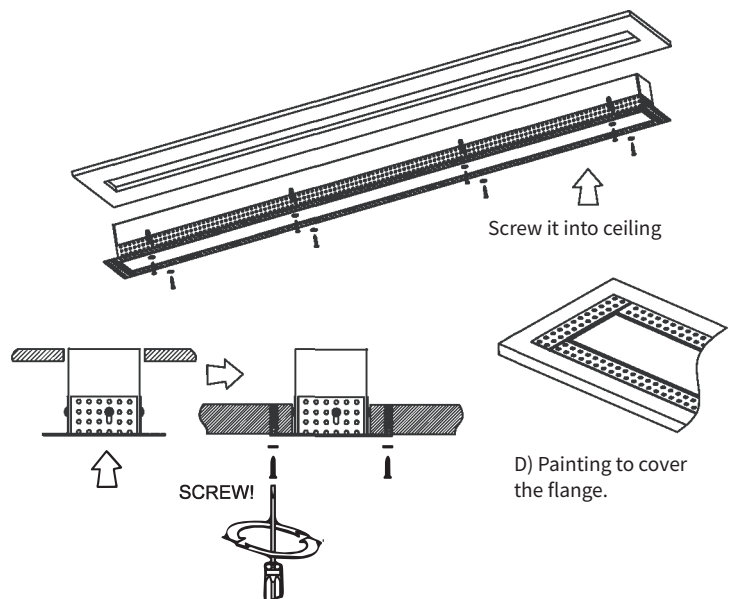
### MUD RECESSED



A) Install the mud flanged by screws.



B) Install the nylon plug into the ceiling.



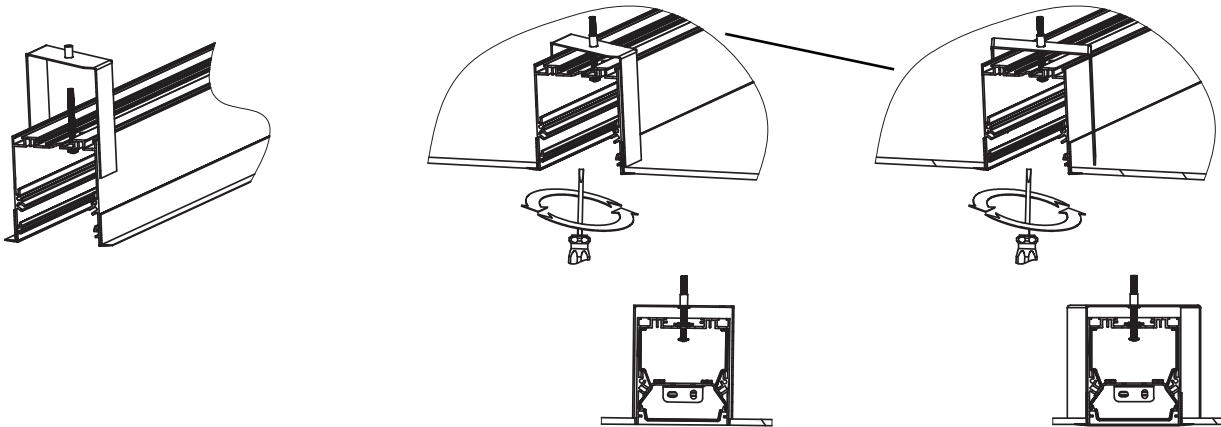
C) Screw the fixture into ceiling.

D) Painting to cover the flange.

# APERTURE NA INSTALLATION SHEET

## APR-NA

### RECESSED IN THE DRYWALL CEILING

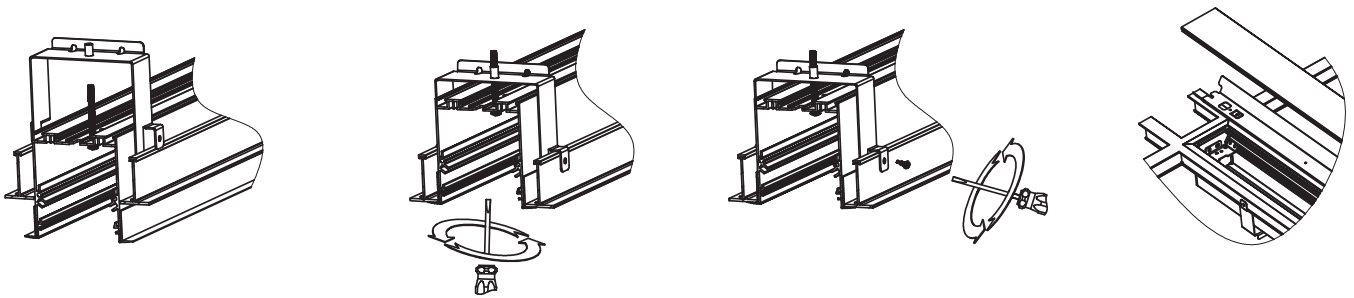


A) Install the recessed kit.

B) Turn screw to recessed kit and secure to ceiling in the fixture.

C) Install the reflector and replace the lens.

### RECESSED IN THE T-BAR CEILING



A) Place the recessed kit and place the fixture in the T-bar ceiling.

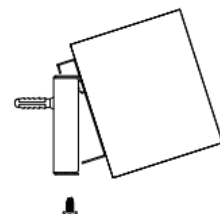
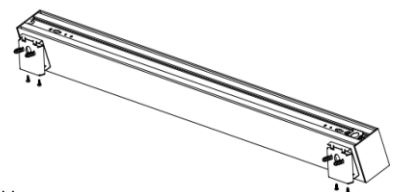
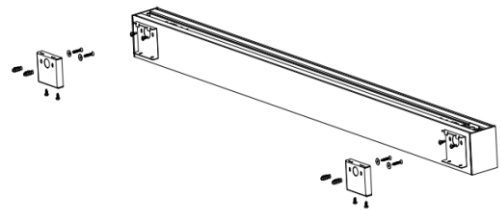
B) Turn screw to recessed kit and secure to ceiling.

C) Screw the recessed kit in the fixture

D) Install the reflector and replace the lens.

### WALL MOUNT

- Install wall bracket onto wall using the appropriate mounting hardware (not provided).
- Make electrical connections as per local and national electrical codes. Push wires into the junction box behind the bracket.
- Hook luminaire bracket over the wall bracket.
- Once in place, tighten screws through the underside of luminaire bracket into the threaded holes on wall bracket.



	2ft	3ft	4ft	6ft	8ft
A	19.88" 505mm	31.57" 802mm	43.31" 1100mm	66.69" 1694mm	90.16" 2290mm
B	2" 50.8mm				
C	1.57" 40mm				
D	1.57" 40mm				

- A: Distance between center of two wall boxes
- B: Distance from center of wall box to the edge of light housing
- C: Distance between two holes in the wall box
- D: Distance from center of wall box to bottom of light housing