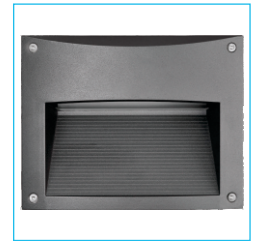


LYNX WALL LIGHT INSTALLATION

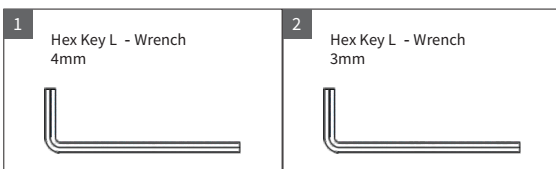
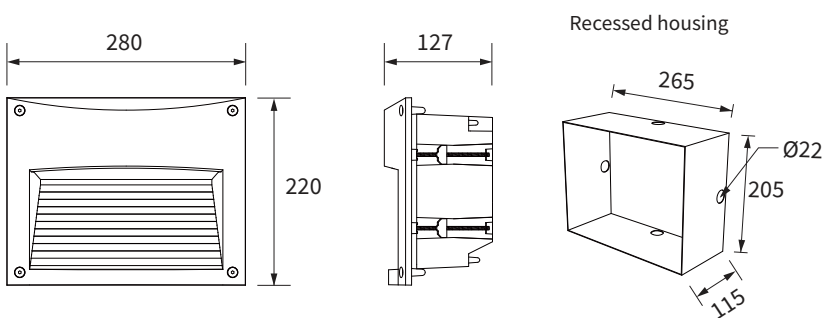
LNx

IP65



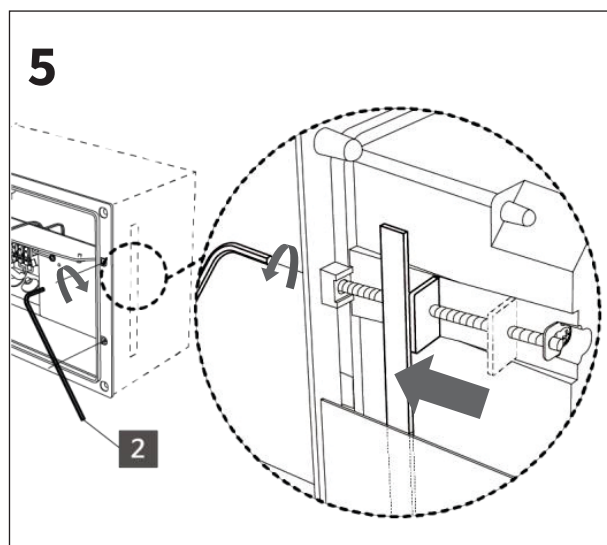
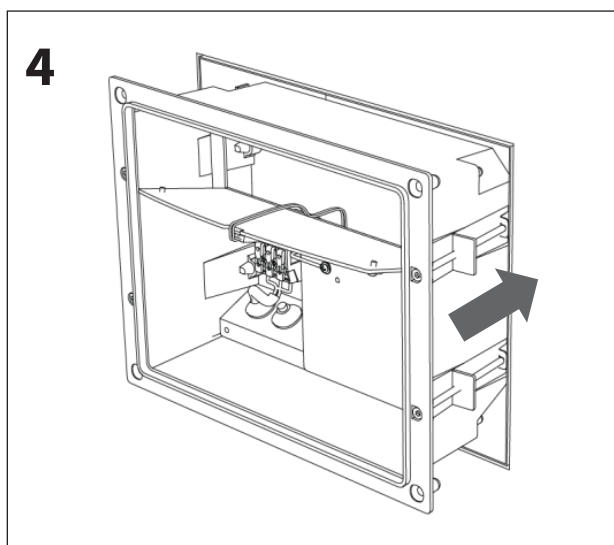
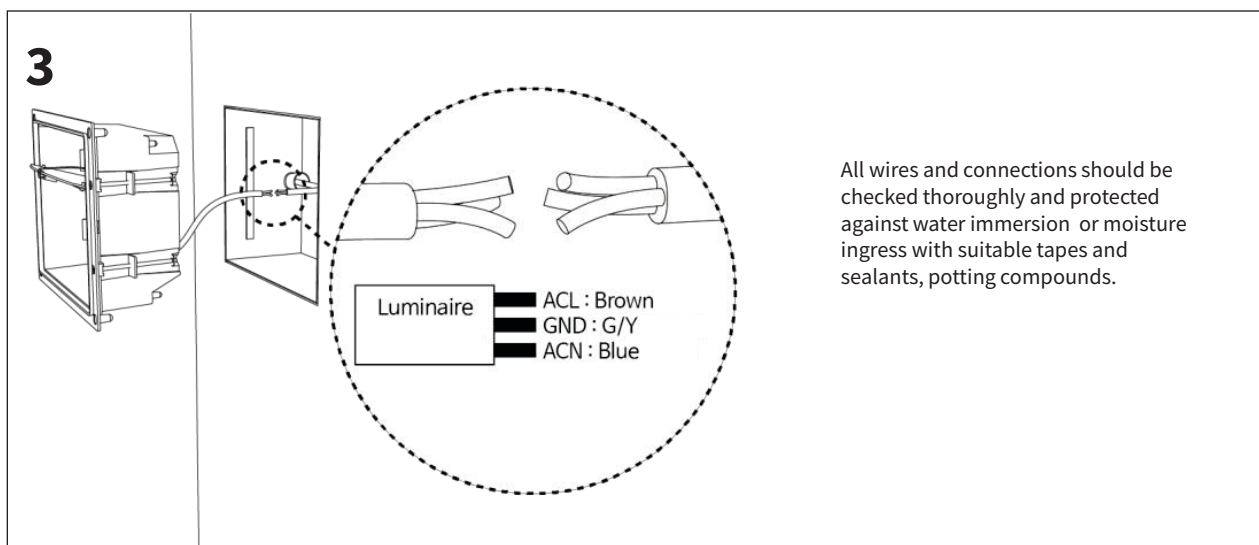
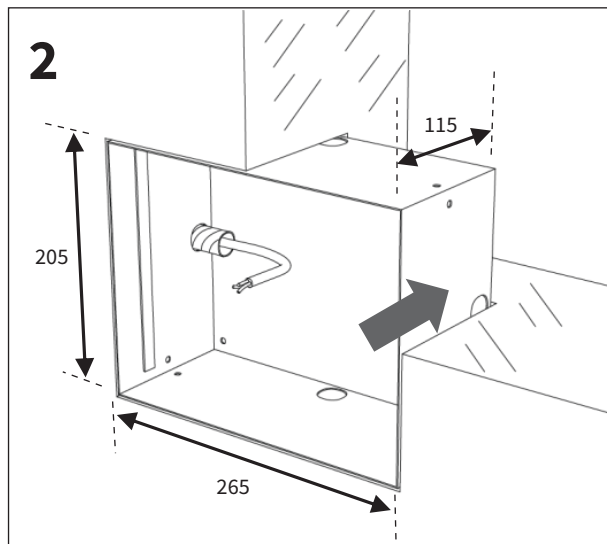
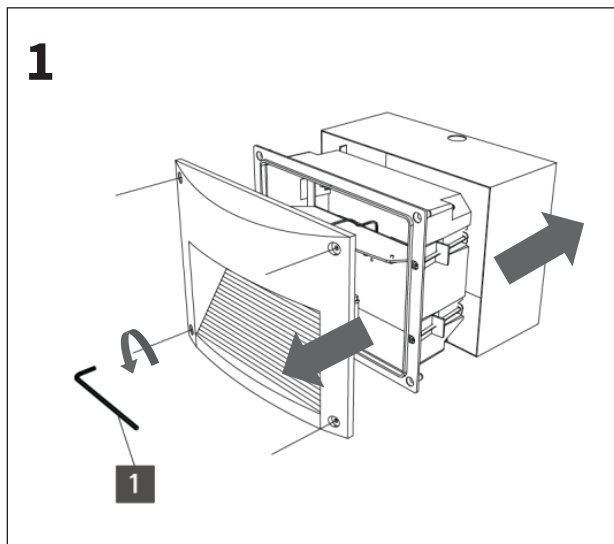
SAFETY NOTES FOR INSTALLATION

- Before starting installation, please make sure to read the installation guide and safety instruction carefully.
- The products must be carefully inspected before installation and do not install them if there is any damage found during the transportation, storage or handling.
- Please refer to the installation guide and use accessories only that accompanies the product. The Warranty will not be effective subject to the condition when the products are used with other materials which is not specified by the installation guide.
- Please keep and follow the condition when voltage limit value is not exceeded.
- Please get the recommended power supply that meets the specification when it is required. If the power supply is not suitable it may cause immediate damage or unstable operation.
- Please make sure all wire connections and insulations and thoroughly check the protection against the water immersion.
- Any physical impact will cause product damage or operational failure.
- Since LED components are sensitive to static electricity please carefully install the products to avoid any damage.
- Please make sure the installation place must be free from any risks such as falling and personal injury. The products should be securely fixed considering their weight.
- The product must be installed in the environment that complies with its intended use of IP rating and ambient temperature.
- The products cannot be located in humid places or in the flood prone areas.
- When the product requires the recessed housing, it should be installed with its original shape. Any deformation of the housing may cause a put together problem.
- For the use of in-ground luminaires, a watering facility is required to prevent the products from being completely submerged in water. The customer will not claim any product defects when they don't follow the instructions.
- Please make sure the products (except for in-ground luminaires) not to be buried under the stated guideline. It may cause a decrease in product life cycle.

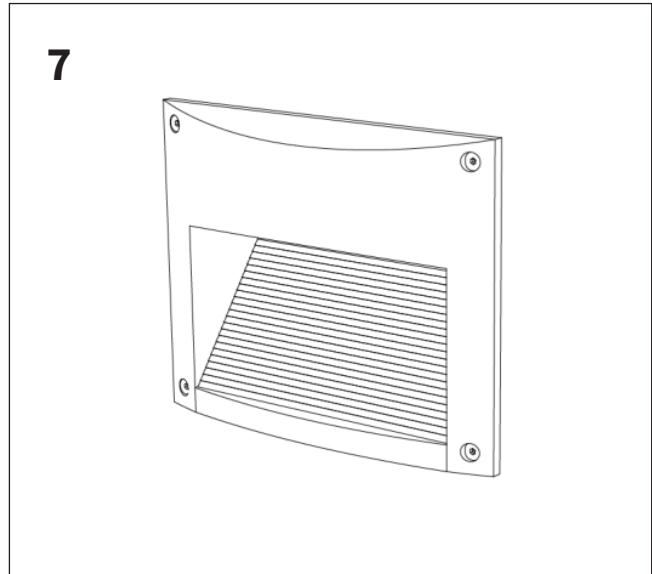
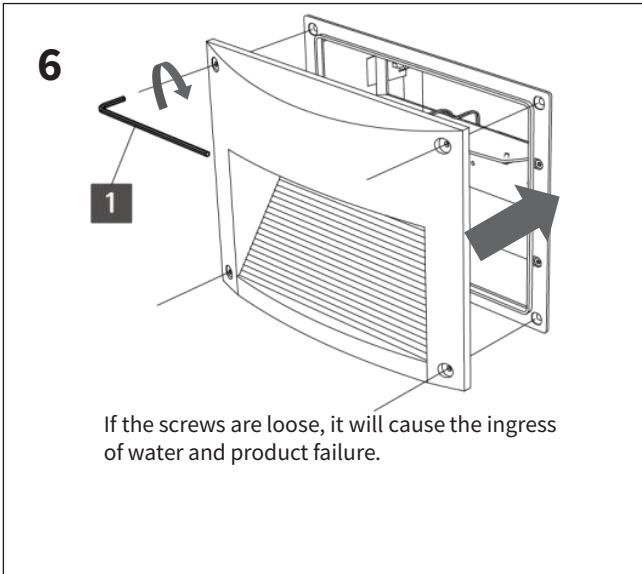


Please refer to the installation guide and use accessories only that accompanies the product. The Warranty will not be effective subject to the condition when the products are used with other materials which is not specified by the installation guide.

INSTALLATION INSTRUCTION



LNX



! Cautions for Internal connection

The diagram contains three panels illustrating internal connection requirements and warnings:

- Left Panel:** Shows a gasket being fitted onto a cable. The text "Gasket Cable Range : Ø6.5-Ø8.5" is at the top. Below, it shows the gasket being pushed onto the cable. The text "Number of Cores : 3Cx1.0SQ(mm)" is at the bottom.
- Middle Panel:** Shows a cable strip being inserted into a terminal block. The text "Cable Strip Length" is at the top. A diagram shows a strip with a 5mm gap and a 10mm length. The terminal block has three terminals labeled "ACL : Brown", "GND : G/Y", and "ACN : Blue". A large arrow labeled "PUSH" points to the strip being inserted.
- Right Panel:** Shows two examples of cable connections. The top example shows a correct connection with a gasket and is marked with a circle. The bottom example shows an incorrect connection without a gasket and is marked with a large 'X'.