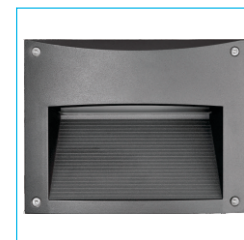


# LYNX WALL LIGHT INSTALLATION

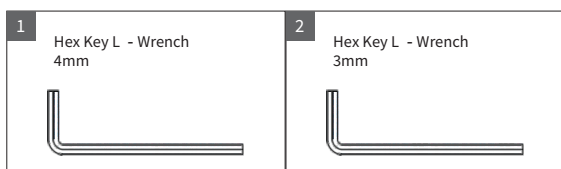
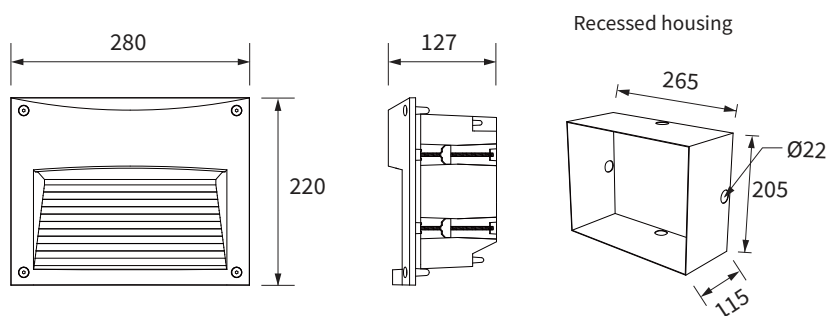
## LNx-MI

IP65



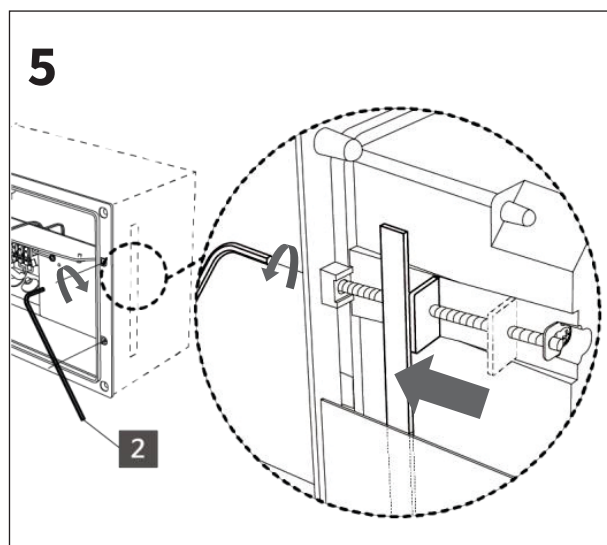
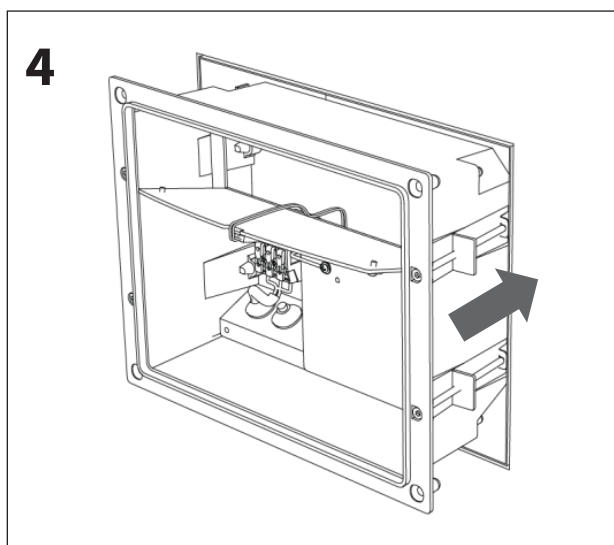
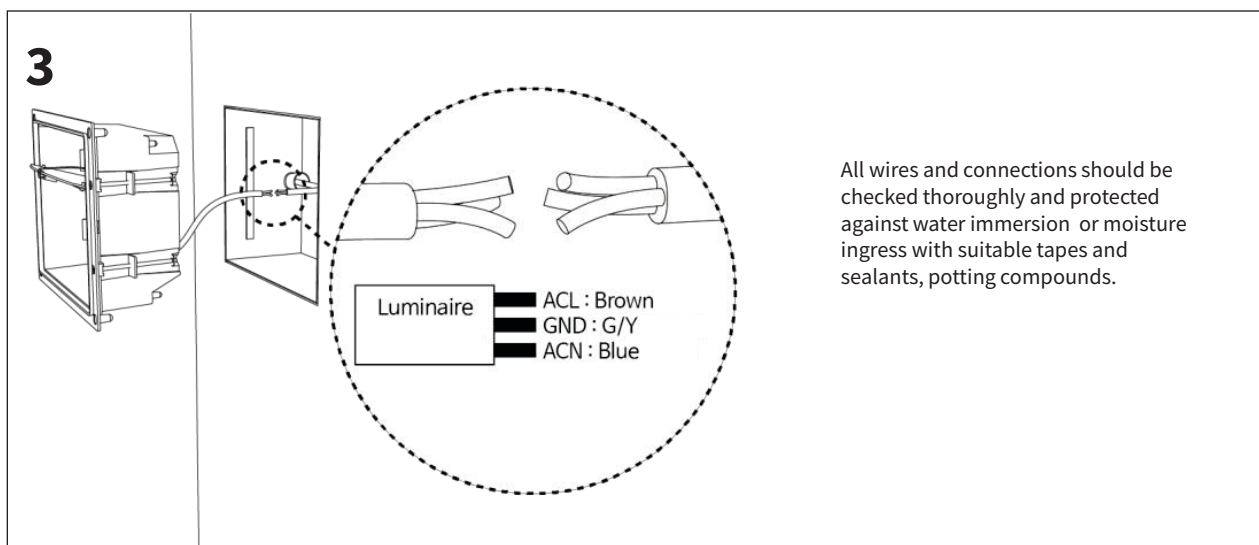
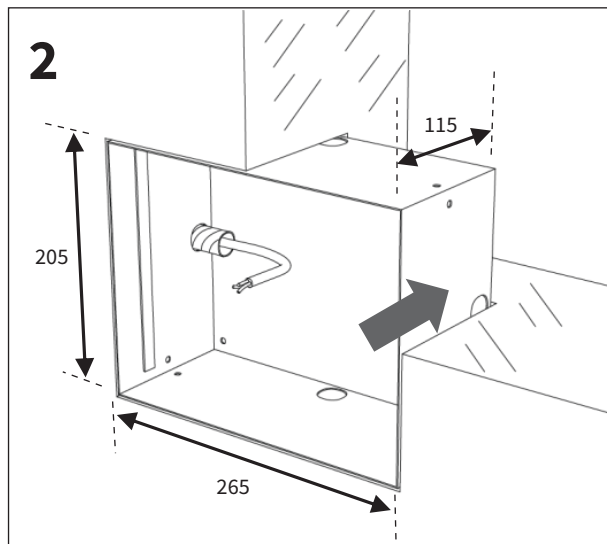
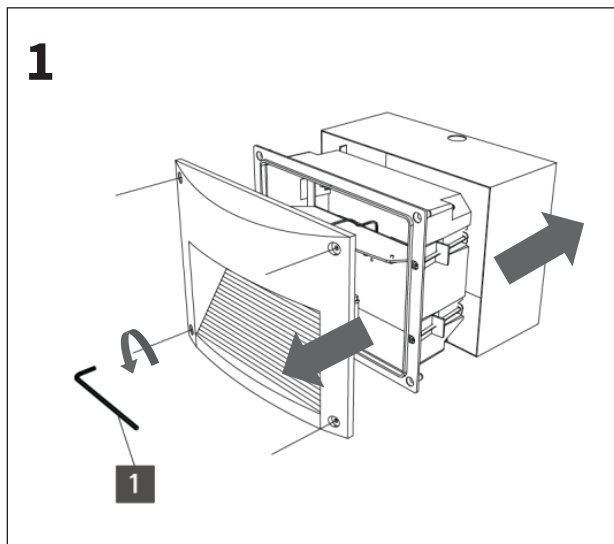
### SAFETY NOTES FOR INSTALLATION

- Before starting installation, please make sure to read the installation guide and safety instruction carefully.
- The products must be carefully inspected before installation and do not install them if there is any damage found during the transportation, storage or handling.
- Please refer to the installation guide and use accessories only that accompanies the product. The Warranty will not be effective subject to the condition when the products are used with other materials which is not specified by the installation guide.
- Please keep and follow the condition when voltage limit value is not exceeded.
- Please get the recommended power supply that meets the specification when it is required. If the power supply is not suitable it may cause immediate damage or unstable operation.
- Please make sure all wire connections and insulations and thoroughly check the protection against the water immersion.
- Any physical impact will cause product damage or operational failure.
- Since LED components are sensitive to static electricity please carefully install the products to avoid any damage.
- Please make sure the installation place must be free from any risks such as falling and personal injury. The products should be securely fixed considering their weight.
- The product must be installed in the environment that complies with its intended use of IP rating and ambient temperature.
- The products cannot be located in humid places or in the flood prone areas.
- When the product requires the recessed housing, it should be installed with its original shape. Any deformation of the housing may cause a put together problem.
- For the use of in-ground luminaires, a watering facility is required to prevent the products from being completely submerged in water. The customer will not claim any product defects when they don't follow the instructions.
- Please make sure the products (except for in-ground luminaires) not to be buried under the stated guideline. It may cause a decrease in product life cycle.

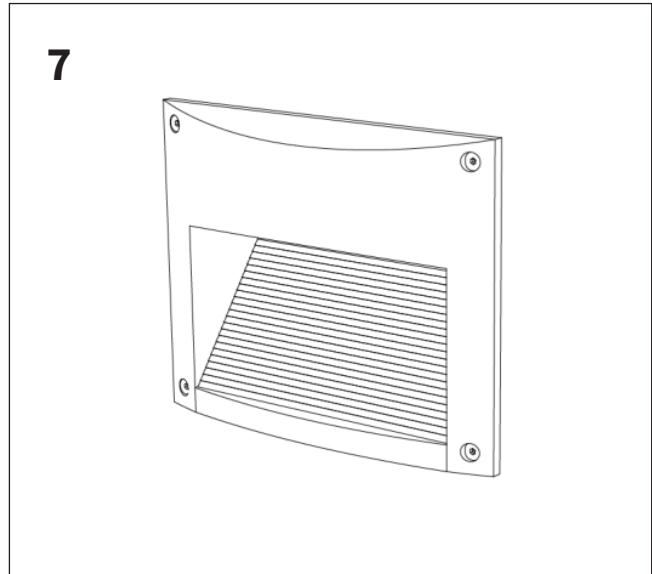
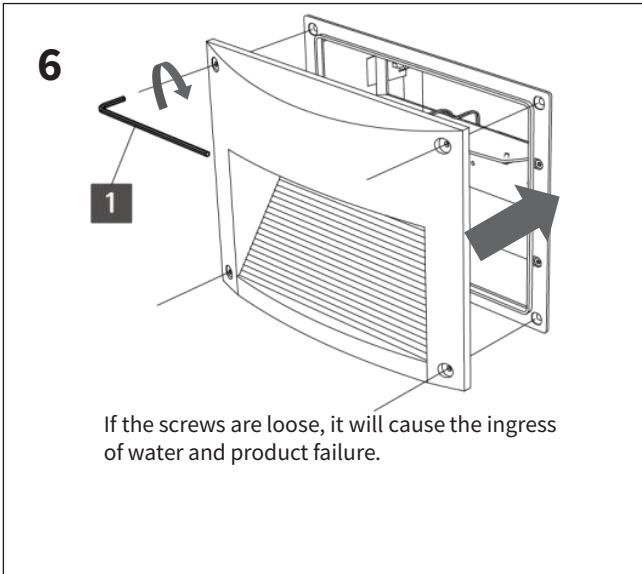


Please refer to the installation guide and use accessories only that accompanies the product. The Warranty will not be effective subject to the condition when the products are used with other materials which is not specified by the installation guide.

### INSTALLATION INSTRUCTION



## LNX



**!** Cautions for Internal connection

The diagram contains three panels illustrating correct and incorrect internal connection methods:

- Left Panel:** Shows a gasket being pushed onto a cable. The gasket cable range is specified as  $\varnothing 6.5 - \varnothing 8.5$ . The number of cores is specified as 3C x 1.05SQ (mm). Arrows indicate the gasket being pushed onto the cable.
- Middle Panel:** Shows a cable strip being inserted into a terminal block. The cable strip length is shown with dimensions of 5 and 10. The terminal block has three terminals labeled: ACL (Brown), GND (G/Y), and ACN (Blue). A large arrow labeled "PUSH" indicates the direction of insertion.
- Right Panel:** Shows two examples of cable connections. The top example, marked with a circle, shows the correct connection where the gasket is properly seated over the cable. The bottom example, marked with an 'X', shows an incorrect connection where the gasket is not properly seated over the cable.