

GENESIS WALL MOUNTED

GNS-WM

Mono IP20 **CE**

YYZ GENESIS WALL MOUNTED provides two different light distribution options to lighting designs, Flexible lighting solution with high illumination and visual comfort apply to office, commercial area, restaurant and other applications.



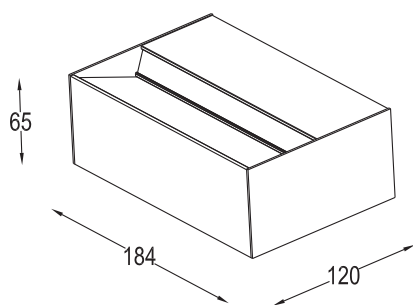
FEATURES

FINISH	BLACK, WHITE, GREY
WORKING VOLTAGE	220-240V 50/60Hz
RATED POWER	15/20W
DISTRIBUTION	ASYMMETRICAL
LAMP LIFE	50,000 HRS
MOUNTING	WALL MOUNTED
DIMENSIONS	184x120x65mm
OPERATION TEMP	-20° C - +45° C
CONTROL	ON/OFF, 1-10V, DALI, TRIAC

ELECTRICAL DATA

POWER CONSUMPTION	15/20W
SUPPLY VOLTAGE	220-240VAC
COLORS	2700K, 3000K, 4000K
CRI	90+

DIMENSIONS



ORDERING LOGIC

PRODUCT	WATTAGE	COLOR TEMPERATURE	CONTROL	VOLTAGE	OPTIC	FINISH	CUSTOM	
GNS-WM	15 - 15W	(CT27)	2700K	ON/OFF	240VAC	A - Asymmetrical	BK - Black WH - White GR - Grey	xx
	20 - 20W	(CT30)	3000K	1-10V				
		(CT40)	4000K	DALI TRIAC				

Sample: GNS-WM - 15 - CT27 - ON/OFF - 240 - A - BK - XX